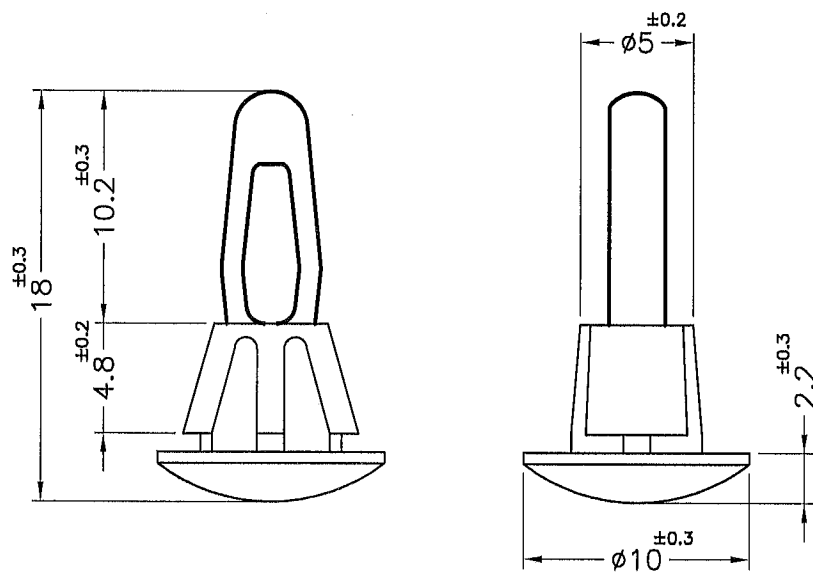




REVISIONS			
REV	DESCRIPTION	DATE	BY

HOLE IN P.C.B  $\phi 4.0$   
P.C.B THICKNESS 1.6mm



HOLE IN P.C.B  $\phi 6.0$   
P.C.B THICKNESS 0.8~1.2mm

- NOTE:1. SHRINKING IS NORMAL STATUS.  
內縮為正常現象。  
2. MADE OF EQUIVALENT MATERIAL.  
均可使用同等材質。

 <p>康揚企業股份有限公司 KANG YANG HARDWARE ENTERPRISE CO., LTD. 康揚塑膠(東莞)有限公司 KANG YANG PLASTIC(DONG GUAN) CO., LTD. 康哲電腦配件(吳江)有限公司 KANG CHE COMPUTER COMPONENTS(WUJIANG) CO., LTD.</p>	TITLE SPACER SUPPORT		SPEC. DWG	
	MATERIAL NYLON 66 UL94V-0		DATE 2016.01.21	
	FINISH		DRAWN LUKE	
	COLOR NATURAL(WHITE)		CHECK 	
PART NUMBER PCBTA-4.8V0	DRAWING NUMBER PCBTA-HV0		UNLESS OTHERWISE SPECIFIED TOLERANCE SEE ABOVE	
SIZE A4	SCALE 3:1	UNIT mm	REV A	APPROVED 