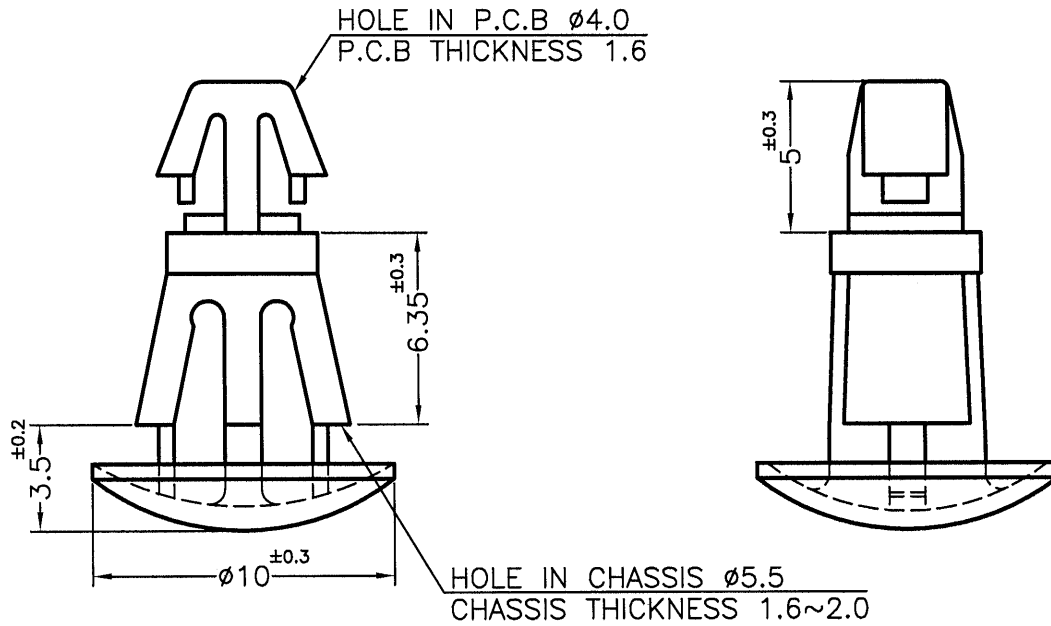



REVISIONS			
REV	DESCRIPTION	DATE	BY



PART NO.	COLOR
RCM-6L	NATURAL
RCM-6L(B)	BLACK
RCM-6L(BU)	BLUE

NOTE: MADE OF EQUIVALENT MATERIAL.
均可使用同等材質。

 康揚企業股份有限公司 KANG YANG HARDWARE ENTERPRISE CO., LTD. 康揚塑膠(東莞)有限公司 KANG YANG PLASTIC(DONG GUAN) CO., LTD. 康哲電腦配件(吳江)有限公司 KANG CHE COMPUTER COMPONENTS(WUJIANG) CO., LTD.				TITLE	SPEC. DWG.
				SPACER SUPPORT	
PART NUMBER		DRAWING NUMBER	MATERIAL	DATE	
SEE ABOVE		RCM-HL	NYLON 66 UL94V-2	2012.03.27	
SIZE	SCALE	UNIT	FINISH	DRAWN	
A4	4:1	mm		SAI	
REV	COLOR	UNLESS OTHERWISE SPECIFIED TOLERANCE	CHECK	APPROVED	
C	SEE ABOVE	SEE ABOVE	