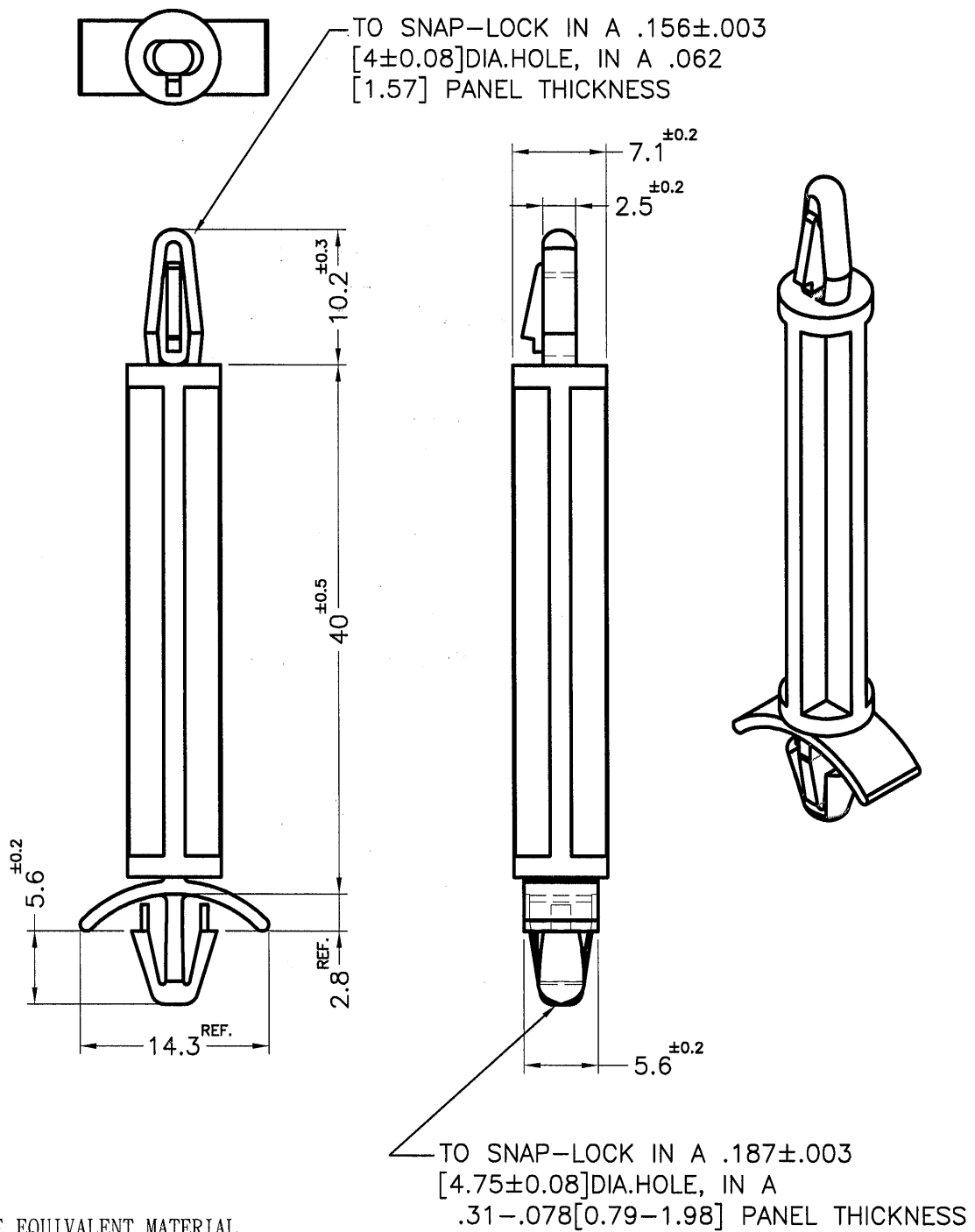



REVISIONS			
REV	DESCRIPTION	DATE	BY



NOTE: 1. MADE OF EQUIVALENT MATERIAL.  
 均可使用同等材質。  
 2. ALL MEASUREMENT DOES NOT INCLUDE GATE WHICH RAISES UNDER 0.3mm.  
 所有尺寸量測皆不含進膠口, 膠口凸出0.3mm之內。

 康揚企業股份有限公司 KANG YANG HARDWARE ENTERPRISE CO., LTD. 康揚塑膠(東莞)有限公司 KANG YANG PLASTIC(DONG GUAN) CO., LTD. 康哲電腦配件(吳江)有限公司 KANG CHE COMPUTER COMPONENTS(WUJIANG) CO., LTD.		TITLE	SPACER SUPPORT	TITLE	SPEC. DWG.
		MATERIAL	NYLON 66 UL94V-2	DATE	2016.08.11
PART NUMBER		FINISH	COLOR	DRAWN	T.C
HLCS-40			NATURAL	CHECK	薛梅
DRAWING NUMBER		UNLESS OTHERWISE SPECIFIED TOLERANCE	SEE ABOVE	APPROVED	Kang
HLCS-40	HLCS-40				
SIZE	SCALE	UNIT	REV		
A4	2:1	mm	B		