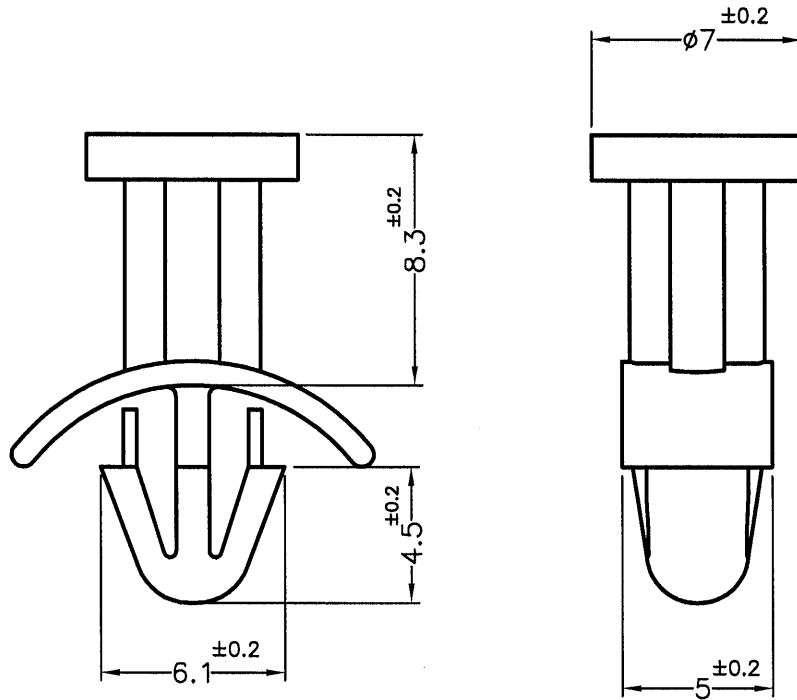



REVISIONS			
REV	DESCRIPTION	DATE	BY





MOUNTING HOLE $\phi 4.5$
P.C.B THICKNESS 0.8~2.0mm

NOTE:MADE OF EQUIVALENT MATERIAL.
均可使用同等材質.

 <p>康揚企業股份有限公司 KANG YANG HARDWARE ENTERPRISE CO., LTD. 康揚塑膠(東莞)有限公司 KANG YANG PLASTIC(DONG GUAN)CO.,LTD. 康哲電腦配件(吳江)有限公司 KANG CHE COMPUTER COMPONENTS(WUJIANG) CO.,LTD.</p>				TITLE	SPEC. DWG.	
				MATERIAL	DATE	
				FINISH	DRAWN	
				COLOR	CHECK	
PART NUMBER	DRAWING NUMBER	UNLESS OTHERWISE SPECIFIED TOLERANCE	APPROVED			
SIZE	SCALE	UNIT	REV			



康揚企業股份有限公司
KANG YANG HARDWARE ENTERPRISE CO., LTD.
康揚塑膠(東莞)有限公司
KANG YANG PLASTIC(DONG GUAN)CO.,LTD.
康哲電腦配件(吳江)有限公司
KANG CHE COMPUTER COMPONENTS(WUJIANG) CO.,LTD.

TITLE	SPACER SUPPORT		DATE	2012.06.22
MATERIAL	NYLON 66 UL94V-2		DRAWN	ROBERT
FINISH			CHECK	
COLOR	NATURAL		APPROVED	
PART NUMBER	LASD-8.3	DRAWING NUMBER	LASD-H	
SIZE	A4	SCALE	4:1	
UNIT	mm	REV	A	
UNLESS OTHERWISE SPECIFIED TOLERANCE	SEE ABOVE			