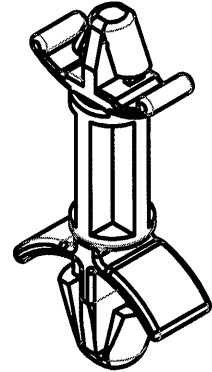
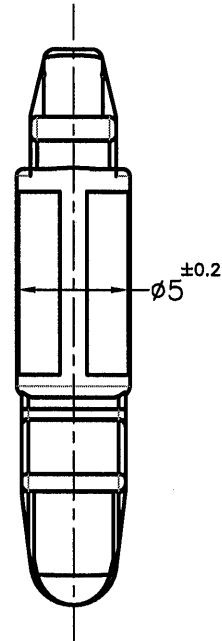
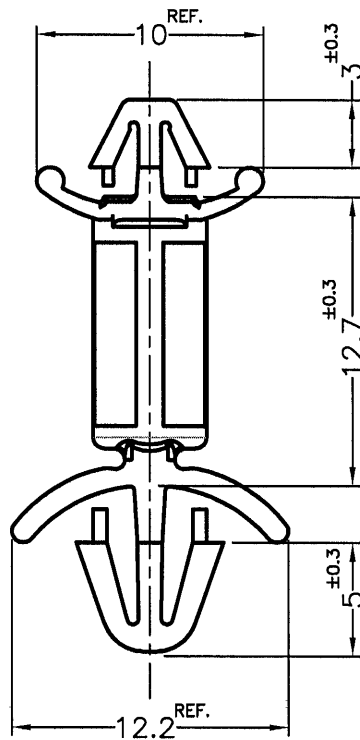


REVISIONS			
REV	DESCRIPTION	DATE	BY


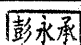



HOLE IN P.C.B  $\phi 4.0^{\pm 0.1}$   
P.C.B THICKNESS  $1.0^{\pm 0.1}$  mm



HOLE IN P.C.B  $\phi 4.8^{\pm 0.1}$   
P.C.B THICKNESS  $1.6^{\pm 0.1}$  mm

NOTE:MADE OF EQUIVALENT MATERIAL.  
使用同等材質

 <p>康揚企業股份有限公司  KANG YANG HARDWARE ENTERPRISE CO., LTD.  康揚塑膠(東莞)有限公司  KANG YANG PLASTIC(DONG GUAN )CO.,LTD.  康哲電腦配件(吳江)有限公司  KANG CHE COMPUTER COMPONENTS(WUJIANG) CO.,LTD.</p>				TITLE	SPACER SUPPORT	SPEC. DWG.	
				MATERIAL	NYLON 66 UL94V-2	DATE	2017.04.12
				FINISH		DRAWN	T.C
				COLOR	NATURAL	CHECK	
PART NUMBER	LCBD-12.7	DRAWING NUMBER	LCBD-H	UNLESS OTHERWISE SPECIFIED TOLERANCE	SEE ABOVE	APPROVED	
SIZE	A4	SCALE	3:1	UNIT	mm	REV	A