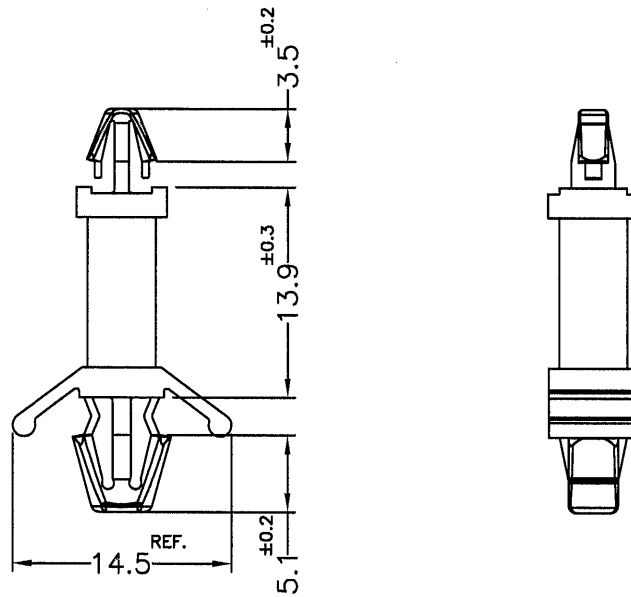



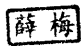
REVISIONS			
REV	DESCRIPTION	DATE	BY

MOUNTING HOLE  $\phi 3\text{mm}$   
THICKNESS 1.4~1.6mm



MOUNTING HOLE  $\phi 4.8\sim\phi 5.0\text{mm}$   
THICKNESS 0.8~2.0mm

NOTE:1. SHRINKING IS NORMAL STATUS.  
內縮為正常現象。  
2. MADE OF EQUIVALENT MATERIAL.  
均可使用同等材質。

 <p>康揚企業股份有限公司 KANG YANG HARDWARE ENTERPRISE CO., LTD. 康揚塑膠(東莞)有限公司 KANG YANG PLASTIC(DONG GUAN )CO.,LTD. 康哲電腦配件(吳江)有限公司 KANG CHE COMPUTER COMPONENTS(WUJIANG) CO.,LTD.</p>				TITLE SPACER SUPPORT		SPEC. DWG.	
				MATERIAL NYLON 66 UL94V-2		DATE 2017.02.22	
				FINISH		DRAWN Summer	
PART NUMBER LCBUA-13.9		DRAWING NUMBER LCBUA-13.9		COLOR NATURAL		CHECK 	
SIZE A4	SCALE 2:1	UNIT mm	REV A	UNLESS OTHERWISE SPECIFIED TOLERANCE SEE ABOVE		APPROVED 