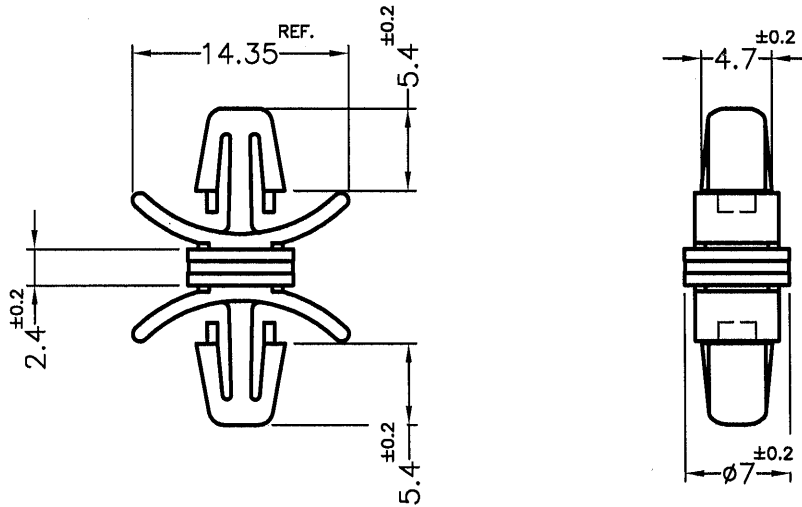


REVISIONS			
REV	DESCRIPTION	DATE	BY



MOUNTING HOLE  $\phi 4.8$   
THICKNESS 0.8~2.0mm



MOUNTING HOLE  $\phi 4.8$   
THICKNESS 0.8~2.0mm

PART NO.	MATERIAL	COLOR
LCBYR-4.8	NYLON 66 UL94V-2	NATURAL
LCBYR-4.8V0	NYLON 66 UL94V-0	NATURAL(WHITE)

NOTE:1. SHRINKING IS NORMAL STATUS.  
內縮為正常現象。  
2. MADE OF EQUIVALENT MATERIAL.  
均可使用同等材質。

 <p>康揚企業股份有限公司 KANG YANG HARDWARE ENTERPRISE CO., LTD. 康揚塑膠(東莞)有限公司 KANG YANG PLASTIC(DONG GUAN) CO., LTD. 康哲電腦配件(吳江)有限公司 KANG CHE COMPUTER COMPONENTS(WUJIANG) CO., LTD.</p>				TITLE	SPEC. DWG.
				MATERIAL	DATE
				FINISH	DRAWN
				COLOR	CHECK
PART NUMBER	DRAWING NUMBER	UNLESS OTHERWISE SPECIFIED TOLERANCE		APPROVED	
SEE ABOVE	LCBYR-4.8	SEE ABOVE			
SIZE	SCALE	UNIT	REV		
A4	2:1	mm	B		