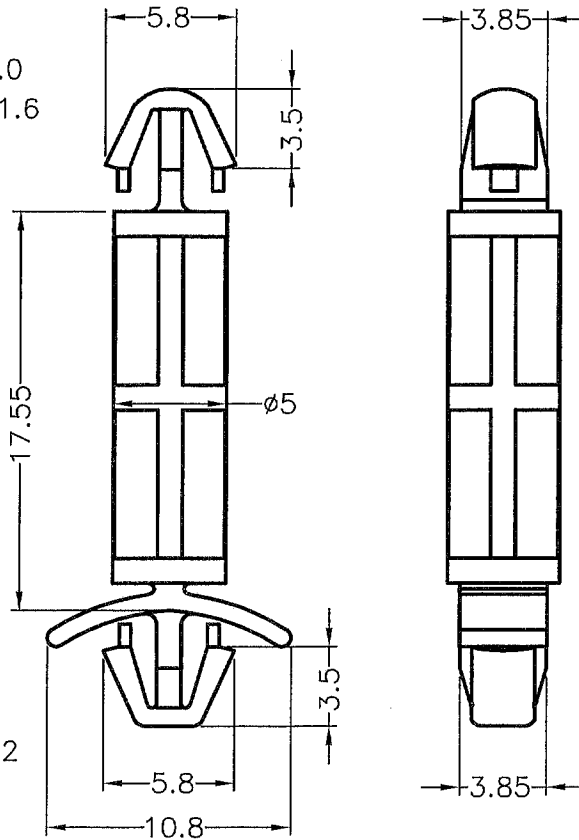


DIM.	TOL.
L≤10	±0.2
10<L≤30	±0.3
30<L≤50	±0.5
50<L≤100	±0.7
100<L≤250	±1.2
ABOVE 250	±1.5

REVISIONS			
REV	DESCRIPTION	DATE	BY

HOLE IN P.C.B Ø4.0  
P.C.B THICKNESS 1.6



HOLE IN P.C.B Ø4.0  
P.C.B THICKNESS 0.5~1.2

NOTE: All measurement does not include gate which raises under 0.3mm.

Compart. nt - Plastics

E41938

E I DUPONT DE NEMOURS & CO INC  
ENGINEERING POLYMERS, CHESTNUT RUN PLAZA, PO BOX 80713, WILMINGTON DE 19880  
101(r9)(f1), 101F(r9)(f1), 101L(r9)(f1), E101(r9)(f1), E101L(r9)(f1)  
Polyamide 66 (PA66), "Zytel", "Zytel", furnished as pellets

Color	Min Thk (mm)	Flame Class	HWI	HAI	RTI E100	RTI Intp	RTI Str
ALL	0.71	V-2	4	0	130	75	85
	1.5	V-2	3	0	130	75	85
	3.0	V-2	2	0	130	75	85
	6.0	V-2	2	0	130	75	85

Comperative Tracking Index (CTI): 0  
Dielectric Strength (kV/mm): 13  
High-Voltage Arc Tracking Rate (HVTAR): 0  
Dimensional Stability (%): -

Inclined Plane Tracking (IPT): -  
Volume Resistivity (10<sup>12</sup> ohm-cm): 14  
High Volt, Low Current Arc Resis (D495): 6

(f1) - Suitable for outdoor use with respect to exposure to Ultraviolet Light, Water Exposure and Immersion in accordance with UL 746C.

NOTE - (1) Material designations that are color pigmented may be followed by suffix letters and numbers. (2) Material designations may be prefixed by "ZY" for Zytel or "MIN" for Minlon or "DEL" for Delrin or "GRA" for Gristin or "RYN" for Rynite or "ETPV" for ETPV grades.  
r9 - Virgin and regird up to 30% by weight inclusive, have the same basic material characteristics for ALL colors down to 0.21mm. For thickness 0.40mm to 0.70mm the same basic material characteristics exist with the exception of generic RTI for all properties and Regrd. exceeding 24% is limited to V-2 Flammability for WT, RD, BK.

ANSIUL 94 small-scale test data does not pertain to building materials, furnishings and related contents. ANSIUL 94 small-scale test data is intended solely for determining the flammability of plastic materials used in the components and parts of end-product devices and appliances, where the acceptability of the combination is established by UL.

Report Date: 1998-07-29  
Last Revised: 2010-07-27

© 2011 DuPontwllers Laboratories Inc.



NYLON 66 UL94V-2 or EQUIVALENT

康揚企業股份有限公司  
KANG YANG HARDWARE ENTERPRISE CO., LTD.  
康揚塑膠(東莞)有限公司  
KANG YANG PLASTIC(DONG GUAN) CO., LTD.  
康哲電腦配件(吳江)有限公司  
KANG CHE COMPUTER COMPONENTS(WUJIANG) CO., LTD.

PART NUMBER LCGB-17.5	DRAWING NUMBER LCGB-17.5
SIZE A4	SCALE 3:1
UNIT mm	REV A

TITLE SPACER SUPPORT	SPEC. DWG.
MATERIAL NYLON 66 UL94V-2	DATE 2013.07.16
FINISH	DRAWN ALBERT
COLOR NATURAL	CHECK 
UNLESS OTHERWISE SPECIFIED TOLERANCE SEE ABOVE	APPROVED 