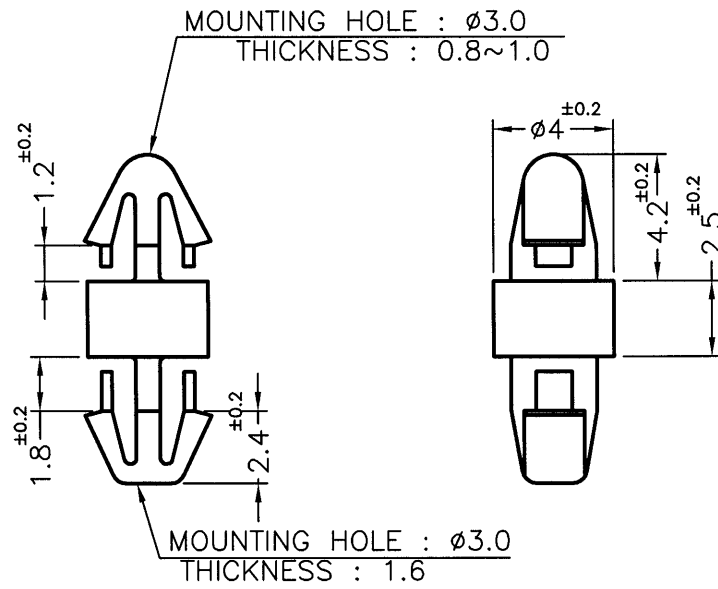

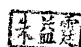
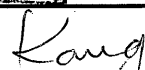


REVISIONS			
REV	DESCRIPTION	DATE	BY



NOTE: MADE OF EQUIVALENT MATERIAL.  
均可使用同等材質。

 <p>康揚企業股份有限公司 KANG YANG HARDWARE ENTERPRISE CO., LTD. 康揚塑膠(東莞)有限公司 KANG YANG PLASTIC(DONG GUAN) CO., LTD. 康哲電腦配件(吳江)有限公司 KANG CHE COMPUTER COMPONENTS(WUJIANG) CO., LTD.</p>	TITLE		SPEC. DWG.	
	SPACER SUPPORT		DATE	2009.04.02
	MATERIAL		DRAWN	SAI
	NYLON 66 UL94V-2		CHECK	
HARDNESS		UNLESS OTHERWISE SPECIFIED TOLERANCE		APPROVED
COLOR		SEE ABOVE		
NATURAL				
PART NUMBER	DRAWING NUMBER			
LCVA-2.5	LCVA-2.5			
SIZE	SCALE	UNIT	REV	
A4	4:1	mm	A	