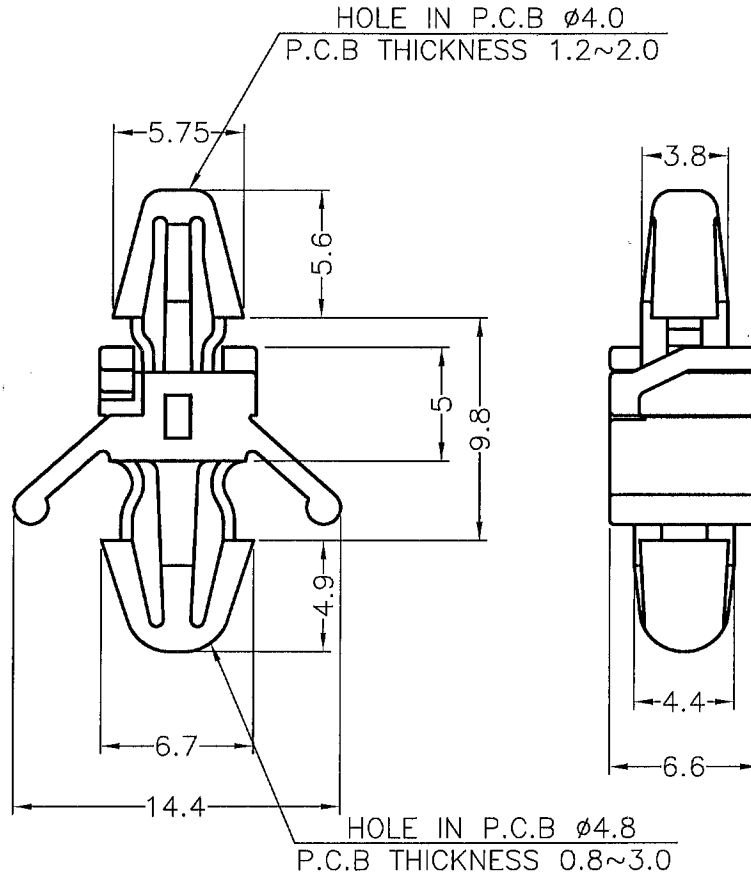


成型尺寸	公差
L≤10	±0.2
10<L≤30	±0.3
30<L≤50	±0.5
50<L≤100	±0.7
100<L≤250	±1.2
ABOVE 250	±1.5

REVISIONS			
REV	DESCRIPTION	DATE	BY



QMFZ2 Component - Plastics Wednesday
 E I DUPONT DE NEMOURS & CO INC
 ENGINEERING POLYMERS CHESTNUT RUN PLAZA PO BOX 80713 WILMINGTON DE 19880
 Material Designation: 101(+)(f1), 101P(+)(f1), 101L(+)(f1), E101(+)(f1), E101L(f1), 132P(+)(f1), 132P(+)(f1)

E41938

Color	Min. Thick. (mm)	Flame Class	HWI	HAI	RTI Elec	RTI Imp	RTI Str	IEC GWIT	IEC GWHI
ALL	0.71	V-2	4	0	130	75	85	725	960
	1.5	V-2	3	0	130	75	85	750	960
	3	V-2	2	0	130	75	85	800	960
	6	V-2	2	0	130	75	85	800	960

Strength (kN/mm ²)	CTI: 0	HVTR: 0	D495: 6	IEC Ball Pressure (C):
ISO Tensile Strength (MPa)				Dimensional Stability(%)
ISO Tear Strength (kN/m)				ISO Heat Deflection (C)
Impact (kJ/m ²)				ISO Charpy Impact (kJ/m ²)
				ISO Heat Deflection (C)

(+) Virgin and regrind up to 50% by weight inclusive, have the same basic material characteristics.
 (f1) Suitable for outdoor use with respect to exposure to Ultraviolet Light, Water Exposure and Immersion in accordance with UL 746C.
 NOTE (1) Material designations that are color pigmented may be followed by suffix letters and numbers. (2) Material designations may be prefixed by "ZYT" or "MIN" or "ZEN" or "DEL" or "CRA" or "RYN".
 Report Date: 7/29/1996 Underwriters Laboratories Inc@
 UL94 small-scale test data does not pertain to outgoing materials, turnings and related contents. UL 94 small-scale test data is intended solely for determining the flammability of plastic materials used in components and parts of end-product devices and appliances, where the acceptability of the combination is determined.

<p>康揚企業股份有限公司 KANG YANG HARDWARE ENTERPRISE CO., LTD. 康揚塑膠(東莞)有限公司 KANG YANG PLASTIC(DONG GUAN) CO., LTD. 康哲電腦配件(吳江)有限公司 KANG CHE COMPUTER COMPONENTS(WUJIANG) CO., LTD.</p>	TITLE		PC板間隔柱	產品規格圖面		
	MATERIAL		NYLON 66 UL94V-2	DATE		2011.09.14
	HARDNESS			DRAWN		SAI
	COLOR		NATURAL	CHECK		
PART NUMBER	DRAWING NUMBER		UNLESS OTHERWISE SPECIFIED TOLERANCE		APPROVED	
VCBSL-9	VCBSL-9		SEE ABOVE			
SIZE	SCALE	UNIT	REV			
A4	3:1	mm	A			