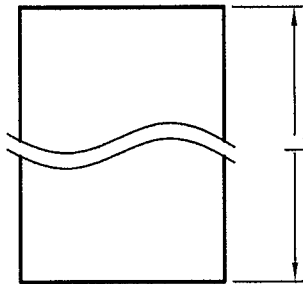
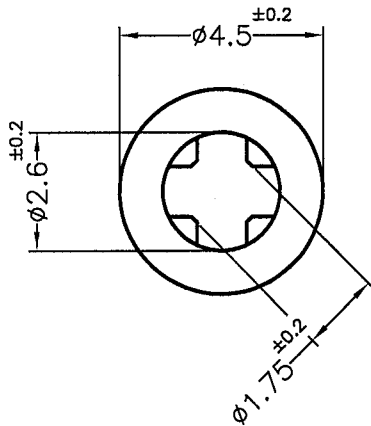


DIM.	TOL
L≤10	±0.2
10<L≤30	±0.3
30<L≤50	±0.5
50<L≤100	±0.7
100<L≤250	±1.2
ABOVE 250	±1.5




REVISIONS			
REV	DESCRIPTION	DATE	BY



PART NO.	L
KWH2-2	2.0
KWH2-3	3.0
KWH2-3.5	3.5
KWH2-4	4.0
KWH2-5	5.0
KWH2-6	6.0
KWH2-6.3	6.3
KWH2-7	7.0
KWH2-8	8.0
KWH2-9	9.0
KWH2-9.5	9.5
KWH2-10	10.0
KWH2-11	11.0
KWH2-11.5	11.5
KWH2-12	12.0
KWH2-12.7	12.7
KWH2-13	13.0
KWH2-14	14.0

PART NO.	L
KWH2-15	15.0
KWH2-15.9	15.9
KWH2-16	16.0
KWH2-17	17.0
KWH2-18	18.0
KWH2-19	19.0
KWH2-20	20.0
KWH2-21	21.0
KWH2-22	22.0
KWH2-23	23.0
KWH2-24	24.0
KWH2-25	25.0
KWH2-25.4	25.4
KWH2-26	26.0
KWH2-27	27.0
KWH2-28	28.0
KWH2-29	29.0
KWH2-30	30.0

NOTE:MADE OF EQUIVALENT MATERIAL.  
均可使用同等材質.

 <p>康揚企業股份有限公司 KANG YANG HARDWARE ENTERPRISE CO., LTD. 康揚塑膠(東莞)有限公司 KANG YANG PLASTIC(DONG GUAN) CO., LTD. 康哲電腦配件(吳江)有限公司 KANG CHE COMPUTER COMPONENTS(WUJIANG) CO., LTD.</p>				TITLE	SPACER SUPPORT	SPEC. DWG.	
				MATERIAL	NYLON 66 UL94V-2	DATE	2018.05.31
				FINISH		DRAWN	Y.C.P
				COLOR	NATURAL	CHECK	
PART NUMBER	SEE ABOVE	DRAWING NUMBER	KWH2-H	UNLESS OTHERWISE SPECIFIED TOLERANCE	SEE ABOVE	APPROVED	
SIZE	A4	SCALE	6:1	UNIT	mm	REV	A