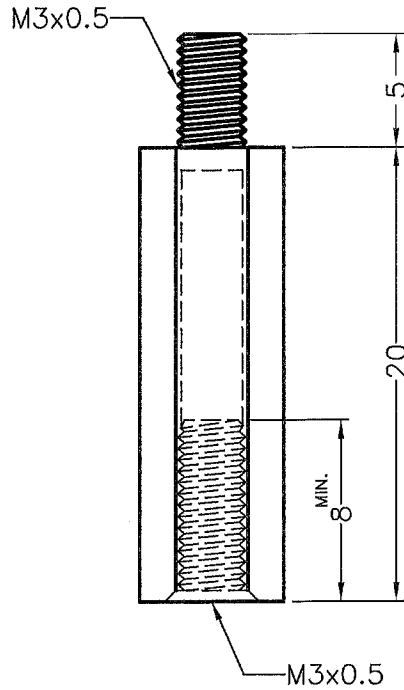
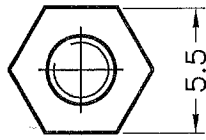


DIM	TOL
5mm DOWN	±0.2
5~20mm	±0.3
20~40mm	±0.4
40~60mm	±0.5
60~100mm	±0.8
100mm UP	±1.0

REVISIONS			
REV	DESCRIPTION	DATE	BY



Component - Plastics

E41938

E I DUPONT DE NEMOURS & CO INC
 ENGINEERING POLYMERS, CHESTNUT RUN PLAZA, PO BOX 80713, WILMINGTON DE 19880
101(r9)(f1), 101F(r9)(f1), 101L(r9)(f1), E101(r9)(f1), E101L(r9)(f1)
 Polyamide 66 (PA66), "Zytel", furnished as pellets

Color	Min Thk (mm)	Flame Class	HWR	HAI	RTI Elec	RTI Strip	RTI Str.
ALL	0.71	V-2	4	0	130	75	85
	1.5	V-2	3	0	130	75	85
	3.0	V-2	2	0	130	75	85
	6.0	V-2	2	0	130	75	85

Comparative Tracking Index (CTI): 0
 Dielectric Strength (kV/mm): 13
 High-Voltage Arc Tracking Rate (HVTR): 0
 Dimensional Stability (%): -

Inclined Plane Tracking (IPT): -
 Volume Resistivity (10¹² ohm-cm): 14
 High Volt, Low Current Arc Resis. (D495): 6

(f1) - Suitable for outdoor use with respect to exposure to Ultraviolet Light, Water Exposure and Immersion in accordance with UL 746C.

NOTE - (1) Material designations that are color pigmented may be followed by suffix letters and numbers. (2) Material designations may be prefixed by "Zytel" for Zytel or "Nylon" for Nylon or "DEL" for Delrin or "GRA" for Garsin or "Rynite" for Rynite or "ETPV" for ETPV grades.
 (3) V-0 and V-1 grades up to 50% by weight inclusive, have the same basic material characteristics for ALL colors down to 0.25mm. For thickness 0.40mm to 0.76mm the same basic material characteristics exist with the exception of generic RTIs for all properties and Regrid exceeding 25% is limited to V-2 Flammability for WL, RD, BK.

ANSI/UL 94 small-scale test data does not pertain to building materials, furnishings and related contents. ANSI/UL 94 small-scale test data is intended solely for determining the flammability of plastic materials used in the components and parts of end-product devices and appliances, where the acceptability of the combination is determined by UL.

Report Date: 1996-07-29
 Last Revised: 2010-07-27

© 2011 Underwriters Laboratories Inc.



NOTE: NYLON 66 UL94V-2 or EQUIVALENT

 康揚企業股份有限公司 KANG YANG HARDWARE ENTERPRISE CO., LTD. 康揚塑膠(東莞)有限公司 KANG YANG PLASTIC(DONG GUAN) CO., LTD. 康哲電腦配件(吳江)有限公司 KANG CHE COMPUTER COMPONENTS(WUJIANG) CO., LTD.	TITLE		THREADED SPACER		SPEC. DWG.		
	MATERIAL		NYLON 66 UL94V-2		DATE		2009.10.27
	FINISH				DRAWN		Leeya
	COLOR		NATURAL		CHECK		
PART NUMBER		DRAWING NUMBER		UNLESS OTHERWISE SPECIFIED TOLERANCE		APPROVED	
TP-20S		TP-20S		SEE ABOVE			
SIZE	SCALE	UNIT	REV				
A4	3:1	mm	A				