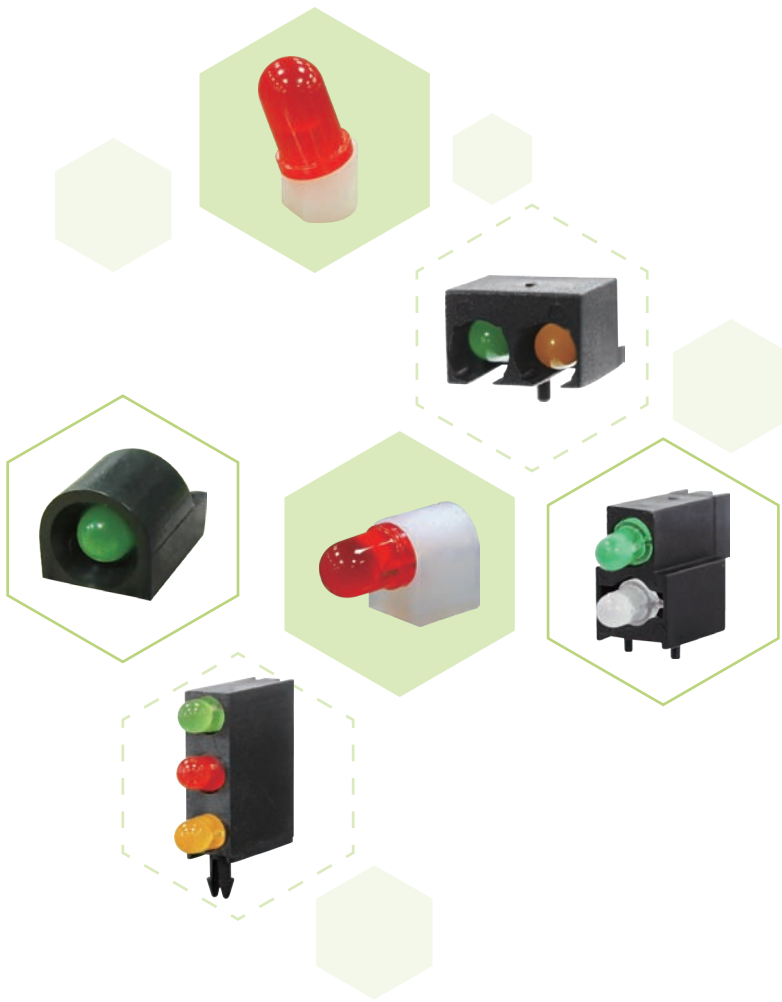


# 3



- 90° LED燈座
- 90° LED Holder

---

---

---

---

---

---

---

---

---

---

---

---

---

---

---

---

---

---

---

---

---

---

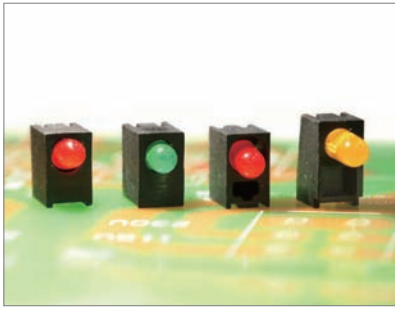
---

---

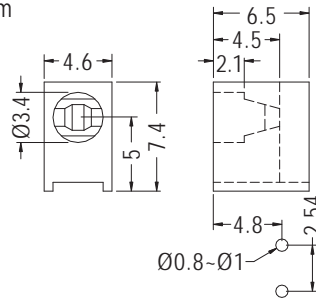


# 90° LED燈座 90° LED HOLDER

用途：使 $\varnothing 3$  mm LED成90°焊於PC板上，高度一致，不斷腳。

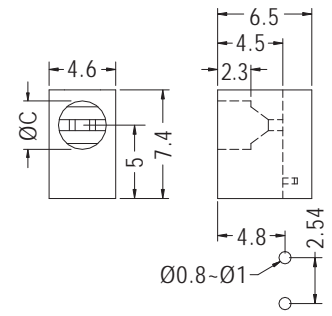


- Material: Nylon 66 (UL)
- Flame Class: 94V-2/94V-0
- Color: Black
- Unit: mm



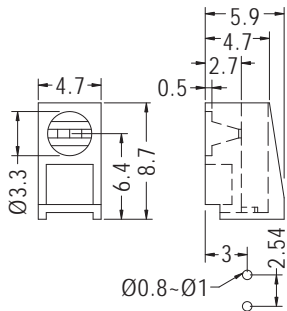
MOUNTING HOLE

Part No.	Package
LED-301	2000



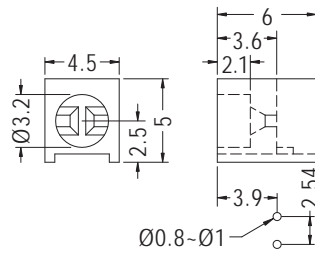
MOUNTING HOLE

Part No.	C	Package
LED-301A	3.4	2000
LED-301(B)	3.3	



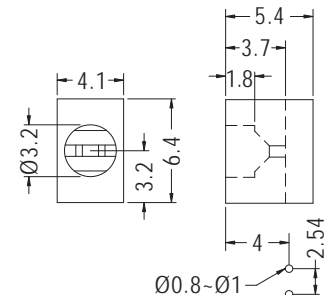
MOUNTING HOLE

Part No.	Package
LED-312	2000



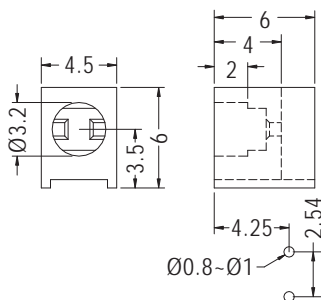
MOUNTING HOLE

Part No.	Package
LED-313	2000



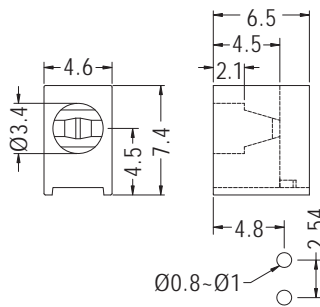
MOUNTING HOLE

Part No.	Package
LED-314	2000



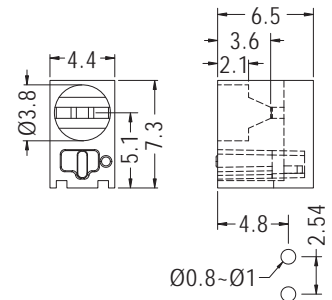
MOUNTING HOLE

Part No.	Package
LED-316	2000



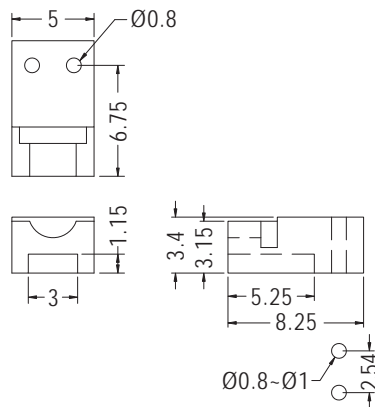
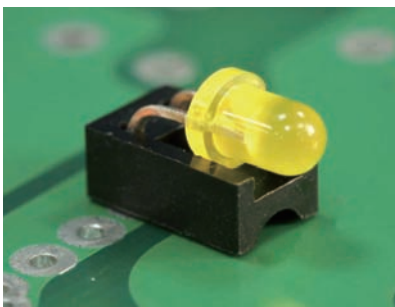
MOUNTING HOLE

Part No.	Package
LED-326	1000



MOUNTING HOLE

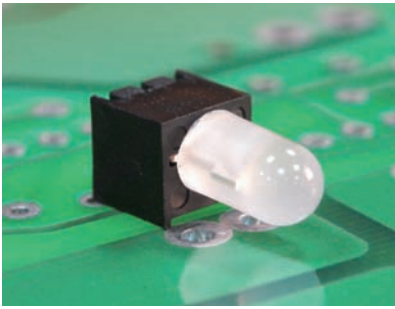
Part No.	Package
LED-328	1000



MOUNTING HOLE

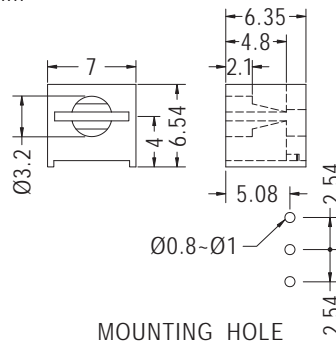
Part No.	Package
LED-325	1000

## 90° LED燈座 90° LED HOLDER

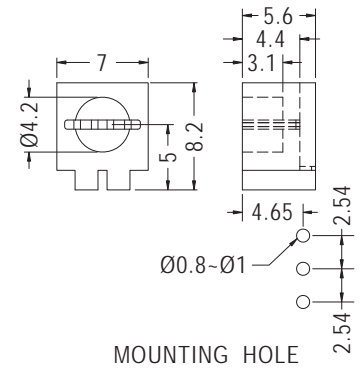


- Material: Nylon 66 (UL)
- Flame Class: 94V-2/94V-0
- Color: Black
- Unit: mm

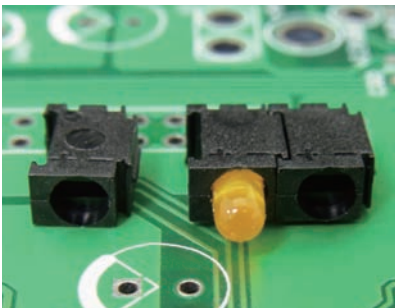
用途：使 $\varnothing 3$  mm 3 PIN LED成90°焊於PC板上，高度一致，不斷腳。



Part No.	Package
LED-343	1000

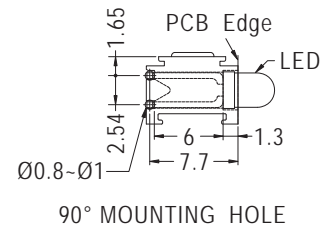
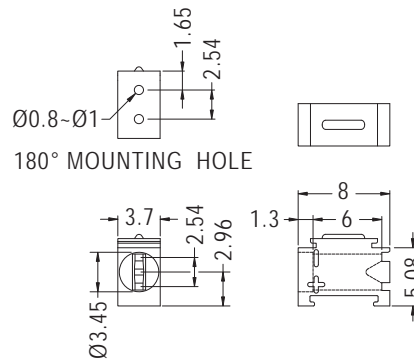


Part No.	Package
LED-319	1000

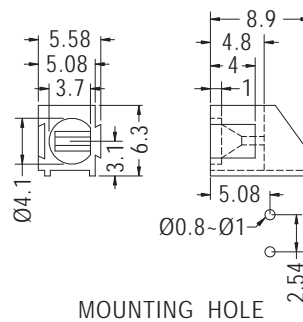
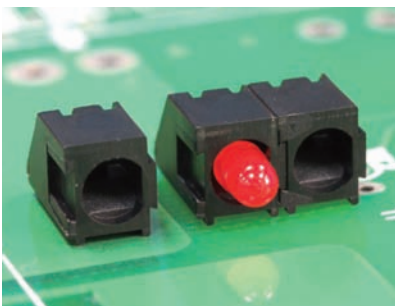


- Material: Nylon 66 (UL)
- Flame Class: 94V-2/94V-0
- Color: Black
- Unit: mm

用途：使 $\varnothing 3$  mm LED成90°焊於PC板上，高度一致，不斷腳，可組合使用。



Part No.	Package
LED-344	1000

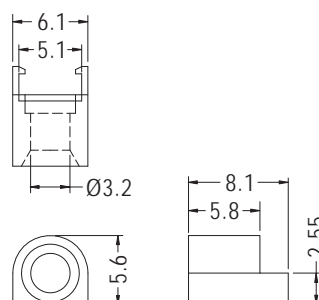


Part No.	Package
LED-6301	2000



- Material: ABS
- Color: Black
- Unit: mm

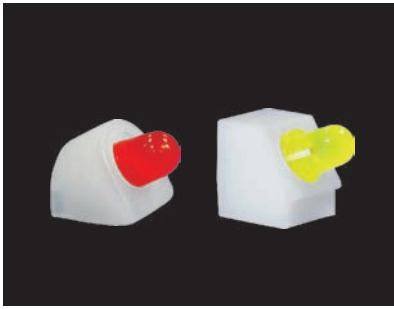
用途：可快速將 $\varnothing 3$  mm LED固定於機器面板上。



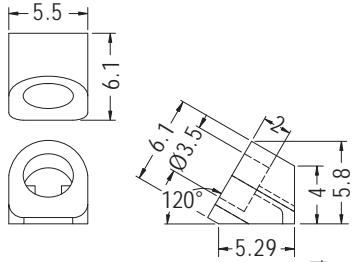
Part No.	Package
LED3-21	2000

## LED燈座 LED MOUNT

用途：使 $\varnothing 3$  mm LED成斜角焊於PC板上，高度一致，不斷腳。

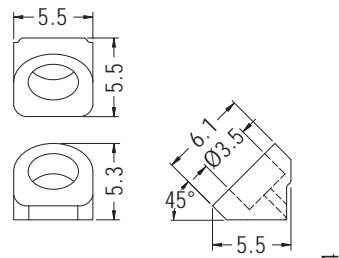


- Material: Nylon 66 (UL)
- Flame Class: 94V-2/94V-0
- Color: Natural/Black
- Unit: mm



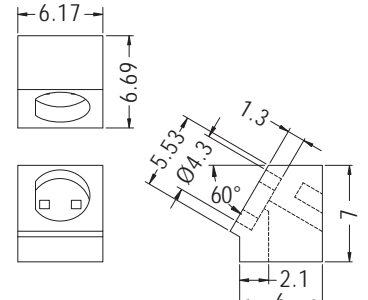
$\varnothing 0.8-\varnothing 1$   
MOUNTING HOLE

Part No.	Package
LEDA-5	1000



$\varnothing 0.8-\varnothing 1$   
MOUNTING HOLE

Part No.	Package
LEDA-6	1000



$\varnothing 0.8-\varnothing 1$   
MOUNTING HOLE

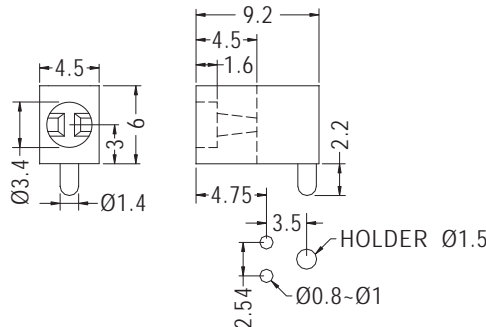
Part No.	Package
LEDA-4	1000

## 90° LED燈座 90° LED HOLDER

用途：使 $\varnothing 3$  mm LED成90°焊於PC板上，高度一致，有定位腳，不傾斜。

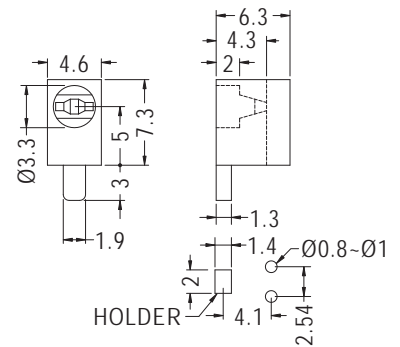


- Material: Nylon 66 (UL)
- Flame Class: 94V-2/94V-0
- Color: Black
- Unit: mm



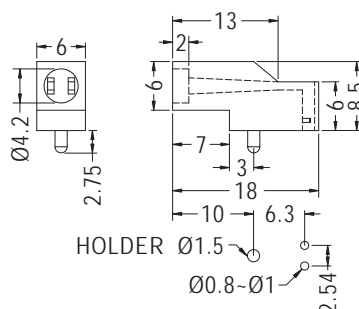
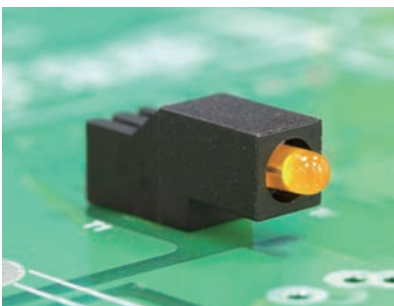
MOUNTING HOLE

Part No.	Package
LEK-301	1000



MOUNTING HOLE

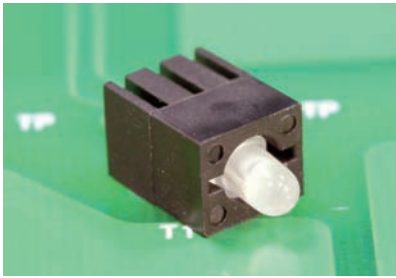
Part No.	Package
LEK-302	1000



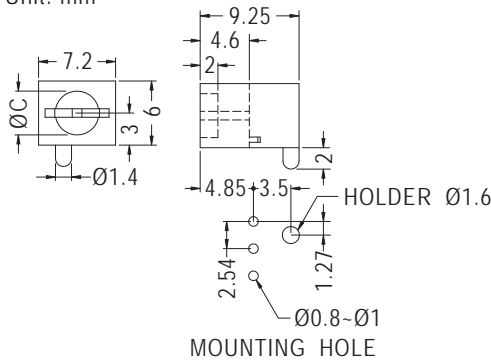
MOUNTING HOLE

Part No.	Package
LEK-311	1000

# 90° LED燈座 90° LED HOLDER

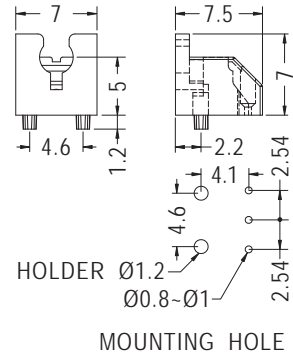


- Material: Nylon 66 (UL)
- Flame Class: 94V-2/94V-0
- Color: Black
- Unit: mm

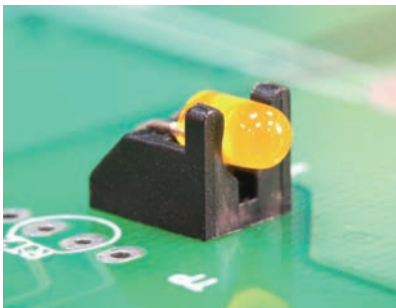


Part No.	C	Package
LEK-303	4.1	1000
LEK-303L	4.25	

用途：使 $\varnothing 3$  mm 3 PIN LED成90°焊於PC板上，高度一致，有定位腳，不傾斜。

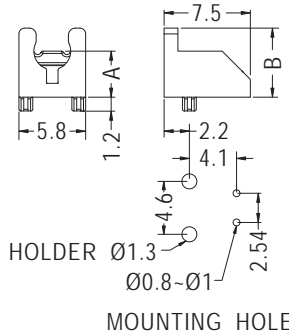


Part No.	Package
LEJ3-5	1000

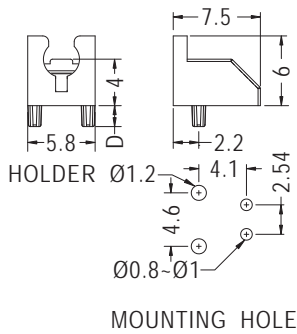


- Material: Nylon 66 (UL)/ABS (UL)
- Flame Class: 94HB/94V-2/94V-0
- Color: Black
- Unit: mm

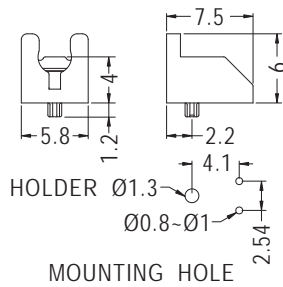
用途：使 $\varnothing 3$  mm LED成90°焊於PC板上，高度一致，有定位腳，不傾斜。



Part No.	A	B	Package
LEJ-4	4.0	6.0	1000
LEJ-5	5.0	7.0	
LEJ-6	6.0	8.0	
LEJ-7	7.0	9.0	
LEJ-8	8.0	10.0	
LEJ-9	9.0	11.0	
LEJ-13	13.0	15.0	

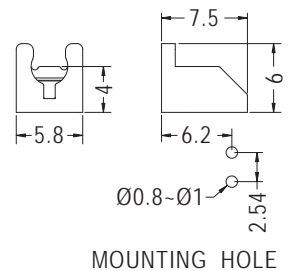


Part No.	D	Package
LEJ-4S	1.8	1000
LEJ-4M	3.0	



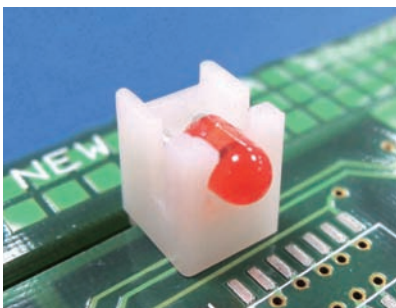
- Material: PC+ABS (UL)
- Flame Class: 94V-2/94V-0

Part No.	Package
LEJT-4	1000

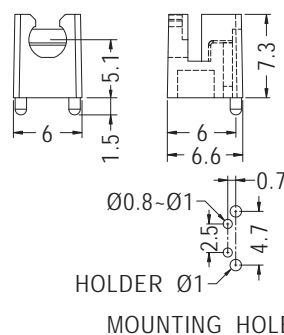


• 底部無定位腳

Part No.	Package
LEJN-4	1000



- Material: ABS (UL)
- Flame Class: 94HB
- Color: Natural
- Unit: mm



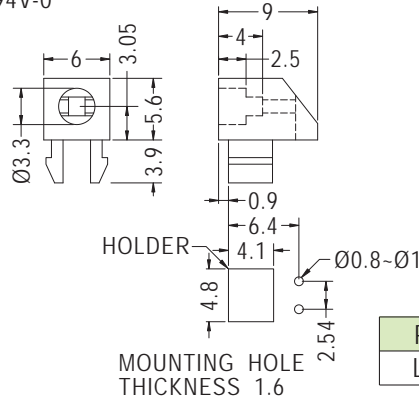
Part No.	Package
LEJA-5	2000

# 90° LED燈座 90° LED HOLDER

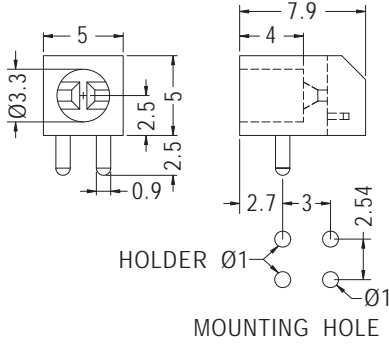
用途：使Ø3 mm LED成90°焊於PC板上，高度一致，有定位腳，不傾斜。



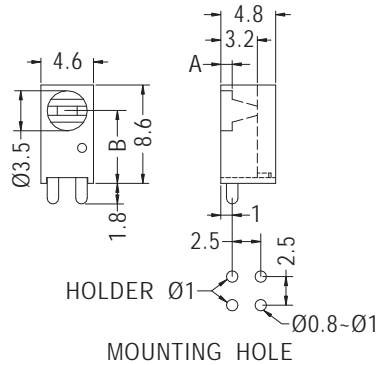
- Material: Nylon 66 (UL)
- Flame Class: 94V-2/94V-0
- Color: Natural/Black
- Unit: mm



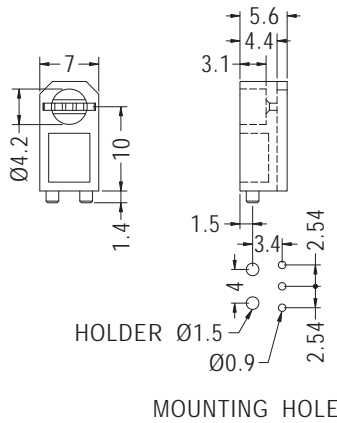
Part No.	Package
LEK-314	1000



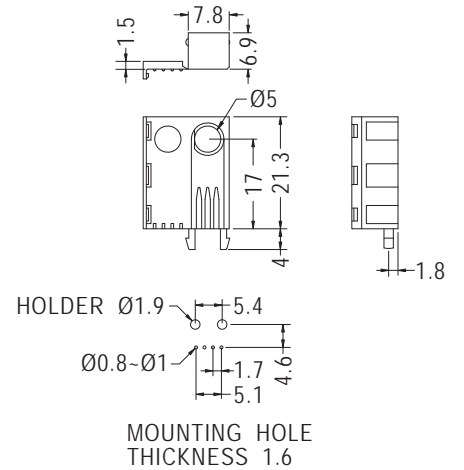
Part No.	Package
LEK-3111	1000



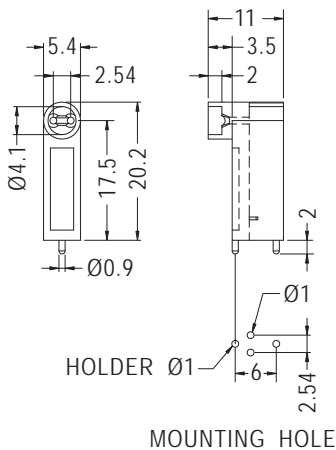
Part No.	A	B	Package
LEK-304	1.0	6.4	1000
LEK-310	2.0	6.35	



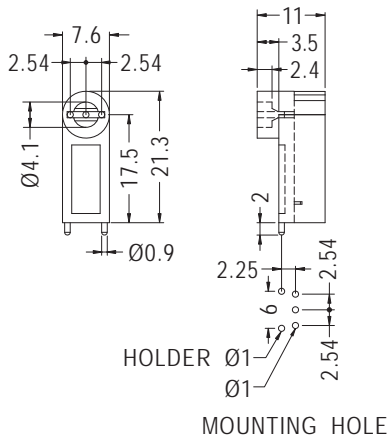
Part No.	Package
LEK-555	1000



Part No.	Package
LEK54-17	1000

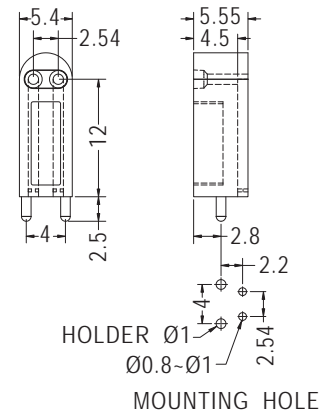


Part No.	Package
LEAK-17.5	1000



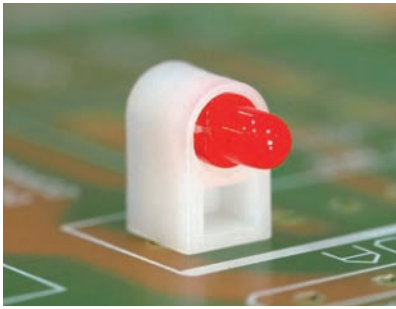
Part No.	Package
LEAK3-17.5	1000

• FOR 3 PIN LED

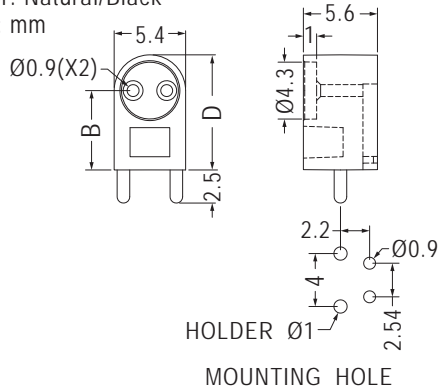


Part No.	Package
LEKH-12	1000

## 90° LED燈座 90° LED HOLDER



- Material: Nylon 66 (UL)
- Flame Class: 94V-2/94V-0
- Color: Natural/Black
- Unit: mm

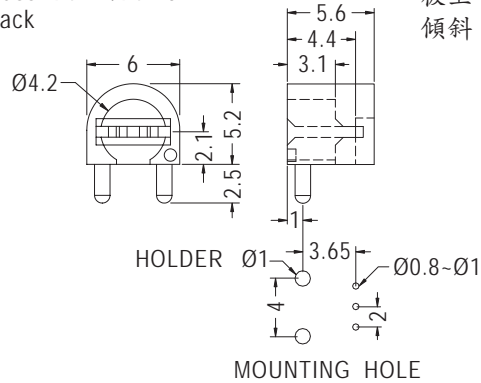


用途：使 $\varnothing 3$  mm LED成90°焊於PC板上，高度一致，有定位腳，不傾斜。

Part No.	B	D	Package
LEK-349	6.0	8.7	1000
LEK-350	8.0	10.7	



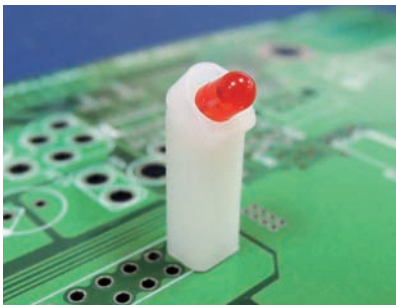
- Material: Nylon 66 (UL)
- Flame Class: 94V-2/94V-0
- Color: Black
- Unit: mm



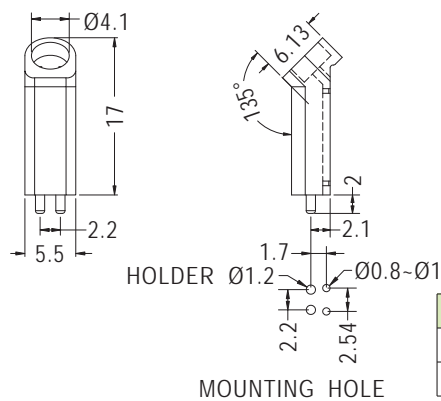
用途：使 $\varnothing 3$  mm 3 PIN LED成90°焊於PC板上，高度一致，有定位腳，不傾斜。

Part No.	Package
LEK-312	1000

## LED燈座 LED MOUNT



- Material: Nylon 66 (UL)
- Flame Class: 94V-2/94V-0
- Color: Natural/Black
- Unit: mm

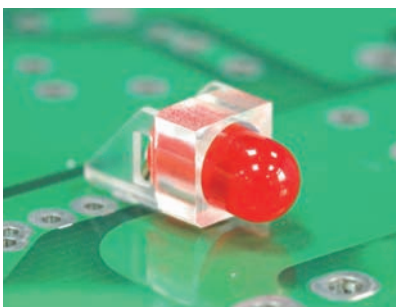


用途：使 $\varnothing 3$  mm LED成斜角焊於PC板上，高度一致，有定位腳，不傾斜。

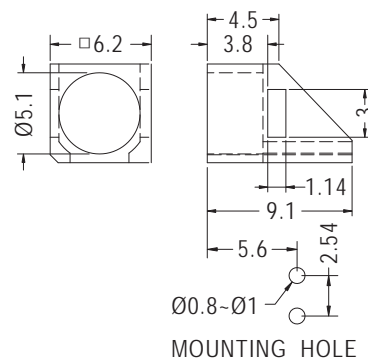
【LEDA-17-1】

Part No.	A	B	Package
LEDA-17	/	/	1000
LEDA-17-1	5.0	2.0	

## 90° LED燈座 90° LED HOLDER



- Material: PC (UL)
- Flame Class: 94V-2
- Color: Transparent
- Unit: mm



用途：使 $\varnothing 5$  mm有帽沿LED成90°焊於PC板上，高度一致，不斷腳。

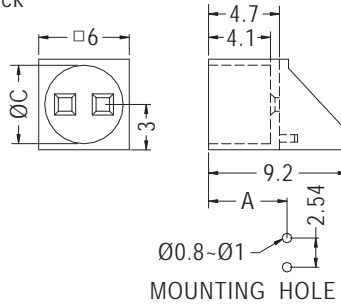
Part No.	Package
LED-505	1000

# 90° LED燈座 90° LED HOLDER

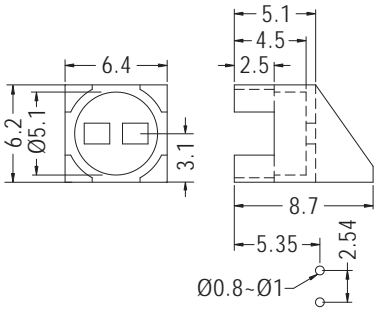
用途：使 $\varnothing 5$  mm LED成90°焊於PC板上，高度一致，不斷腳。



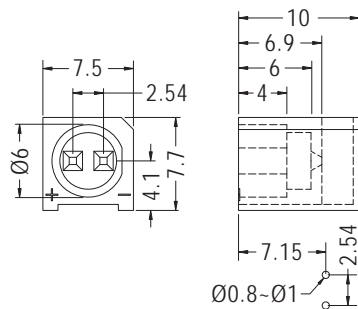
- Material: Nylon 66 (UL)
- Flame Class: 94V-2/94V-0
- Color: Black
- Unit: mm



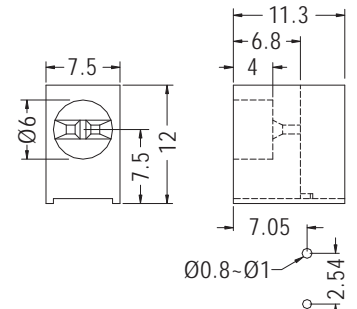
Part No.	A	C	Package
LED-502	4.95	5.2	2000
LED-502S	5.0	4.9	



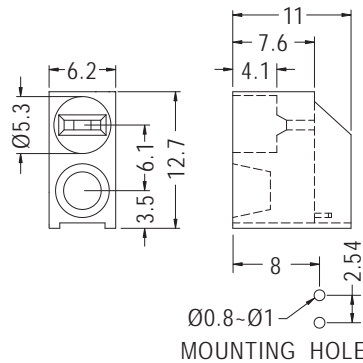
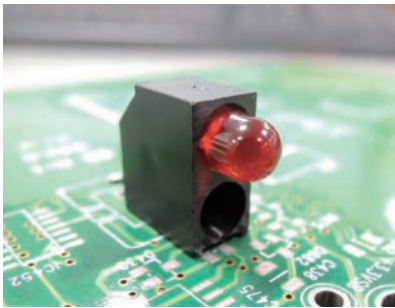
Part No.	Package
LED1L-2.5	2000



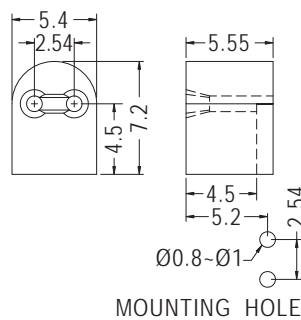
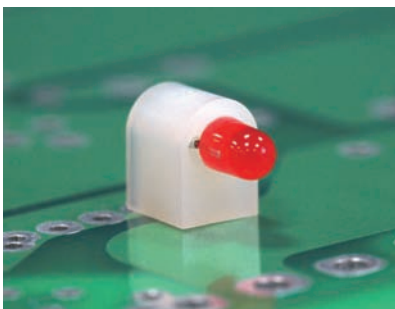
Part No.	Package
LED-542	1000



Part No.	Package
LED-504	1000



Part No.	Package
LED-528	1000



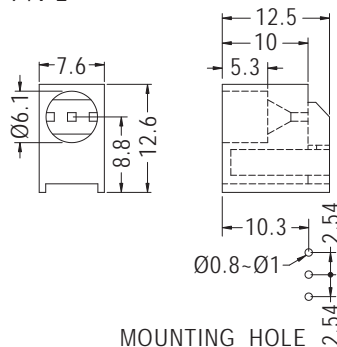
• Color: Natural/Black

Part No.	Package
LEAH-4.5	2000



- Material: PC (UL)
- Flame Class: 94V-2
- Color: Black
- Unit: mm

用途：使 $\varnothing 5$  mm 3 PIN LED成90°焊於PC板上，高度一致，不斷腳。



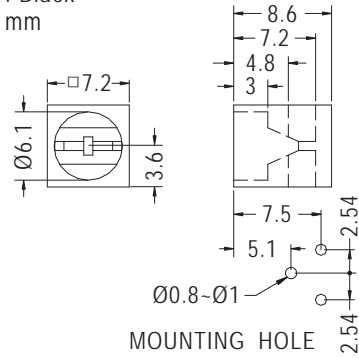
Part No.	Package
LED-535	500



## 90° LED燈座 90° LED HOLDER

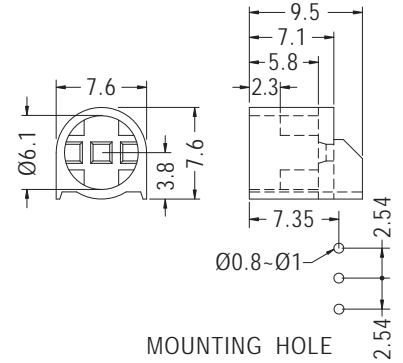


- Material: Nylon 66 (UL)
- Flame Class: 94V-2/94V-0
- Color: Black
- Unit: mm

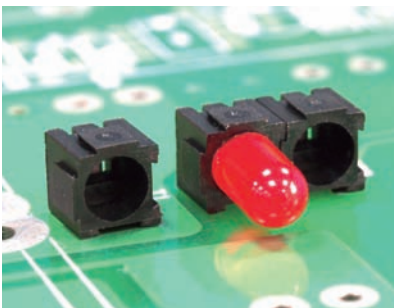


Part No.	Package
LED-503	1000

用途：使 $\varnothing 5$  mm 3 PIN LED成90°焊於PC板上，高度一致，不斷腳。

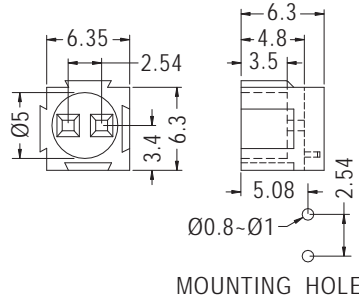


Part No.	Package
LED-501	1000



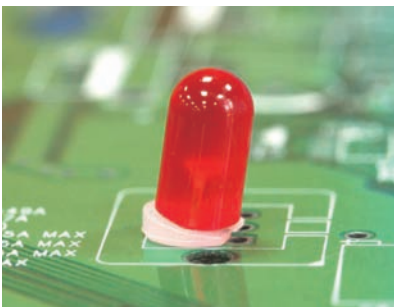
- Material: Nylon 66 (UL)
- Flame Class: 94V-2/94V-0
- Color: Black
- Unit: mm

用途：使 $\varnothing 5$  mm LED成90°焊於PC板上，高度一致，不斷腳，可組合使用。



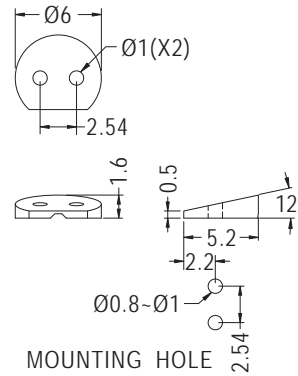
Part No.	Package
LED-6501	2000

## LED燈座 LED MOUNT

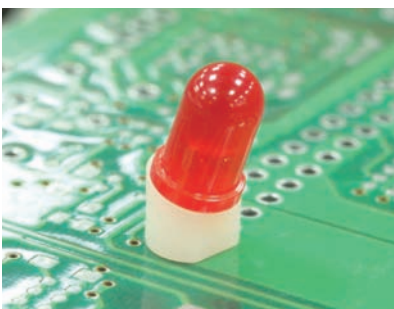


- Material: Nylon 66 (UL)
- Flame Class: 94V-2/94V-0
- Color: Natural/Black
- Unit: mm

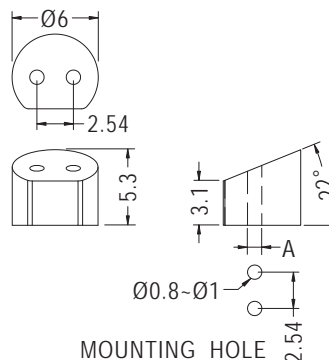
用途：使 $\varnothing 5$  mm LED成斜角焊於PC板上，高度一致，不斷腳。



Part No.	Package
LEDA-7	1000



- Material: Nylon 66 (UL)/ABS (UL)
- Flame Class: 94HB/94V-2/94V-0
- Color: Natural/Black
- Unit: mm

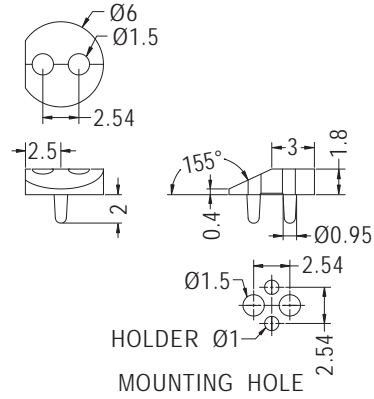


Part No.	A	Package
LEDA-2S	0.9	1000
LEDA-2	1.0	

## LED燈座 LED MOUNT

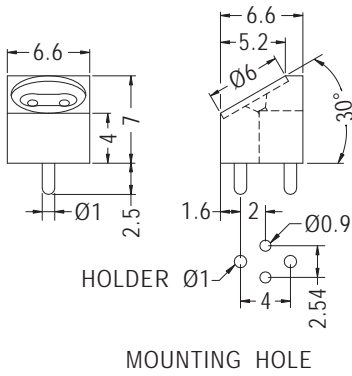


- Material: Nylon 66 (UL)/ABS (UL)
- Flame Class: 94HB/94V-2/94V-0
- Color: Natural/Black
- Unit: mm

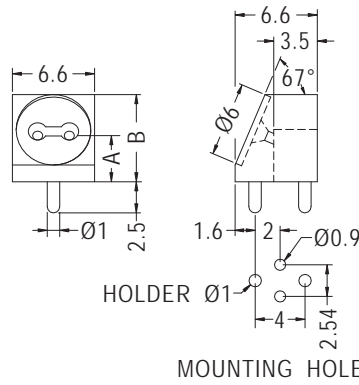


Part No.	Package
LEK-530	1000

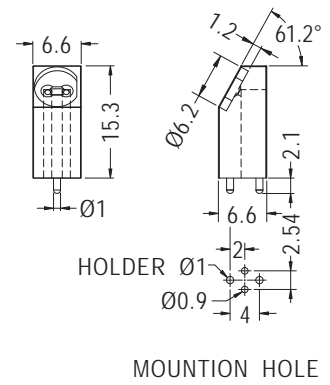
- Material: Nylon 66 (UL)
- Flame Class: 94V-2/94V-0
- Color: Natural/Black
- Unit: mm



Part No.	Package
LEK-513	2000



Part No.	A	B	Package
LEK-509	3.0	7.0	1000
LEK-531	7.0	10.3	

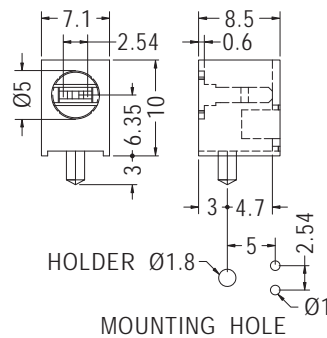


Part No.	Package
LEK-545	1000

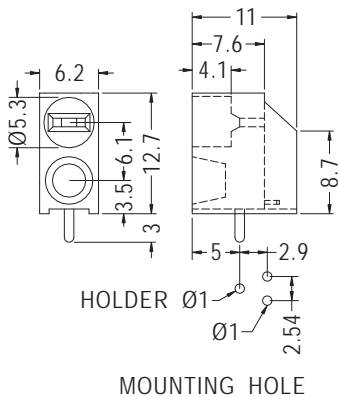
## 90° LED燈座 90° LED HOLDER



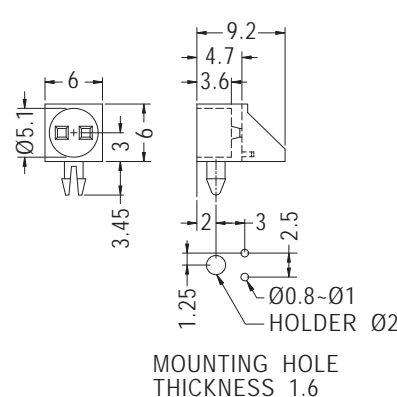
- Material: Nylon 66 (UL)
- Flame Class: 94V-2/94V-0
- Color: Black
- Unit: mm



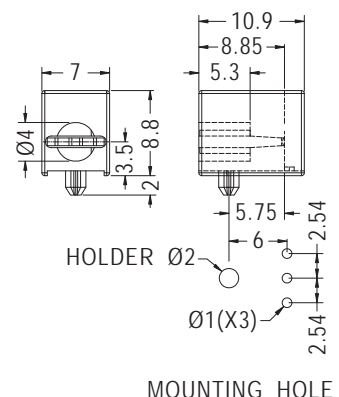
Part No.	Package
LEK-541	1000



Part No.	Package
LEK-525	1000



Part No.	Package
LEK-548	1000



Part No.	Package
LEK-551	1000

用途：使Ø5 mm LED成斜角焊於PC板上，高度一致，有定位腳，不傾斜。

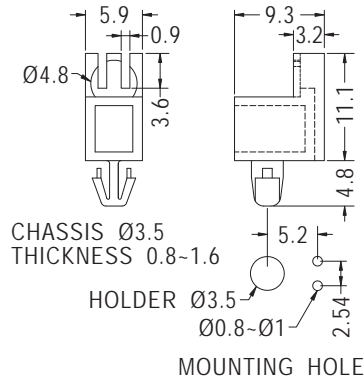
用途：使Ø5 mm LED成90°焊於PC板上，高度一致，有定位腳，不傾斜。

# 90° LED燈座 90° LED HOLDER

用途：使Ø5 mm LED成90°焊於PC板上，高度一致，有定位腳，不傾斜。



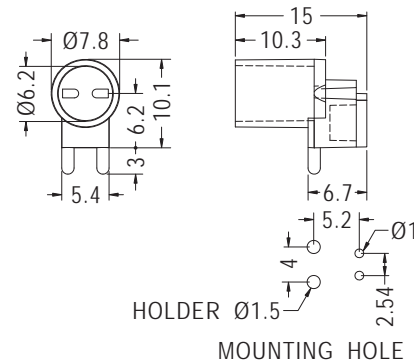
- Material: POM
- Color: Natural/Black
- Unit: mm



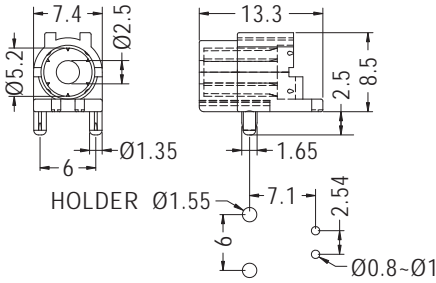
Part No.	Package
LEK-526	1000



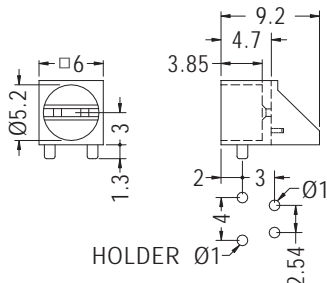
- Material: Nylon 66 (UL)
- Flame Class: 94V-2/94V-0
- Color: Black
- Unit: mm



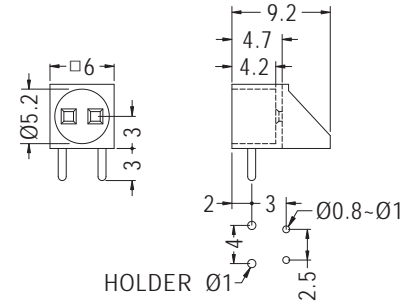
Part No.	Package
LEK-539	1000



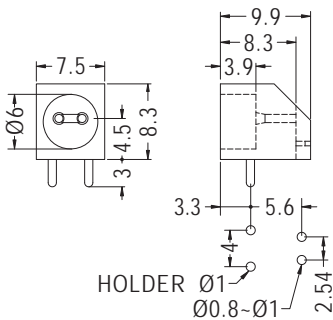
Part No.	Package
LEK-533	1000



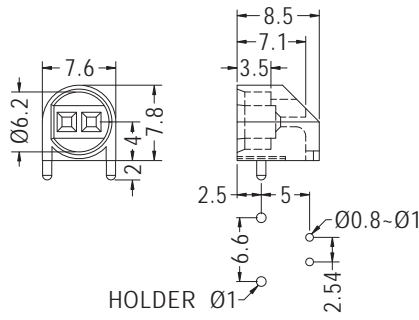
Part No.	Package
LEK-516	2000



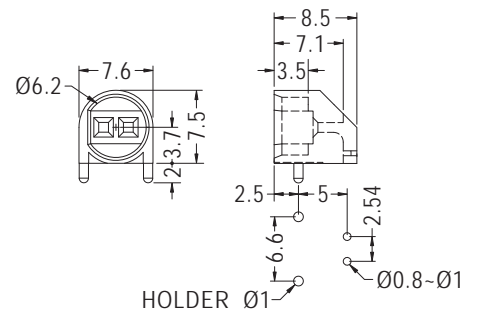
Part No.	Package
LEK-502	1000



Part No.	Package
LEK-535	1000



Part No.	Package
LEK-534	1000

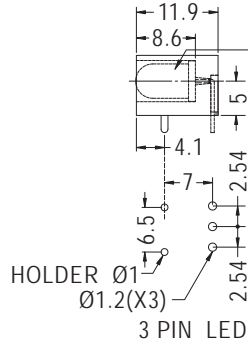
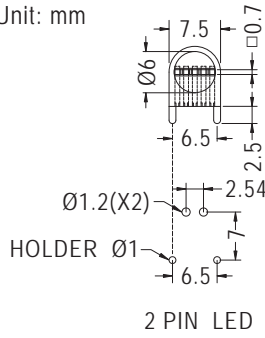


Part No.	Package
LEK-547	1000

# 90° LED燈座 90° LED HOLDER



- Material: Nylon 66 (UL)
- Flame Class: 94V-2/94V-0
- Color: Black
- Unit: mm



LED組裝示意圖  
ASSEMBLY DIAGRAM

Part No.	Package
LEK-528	1000

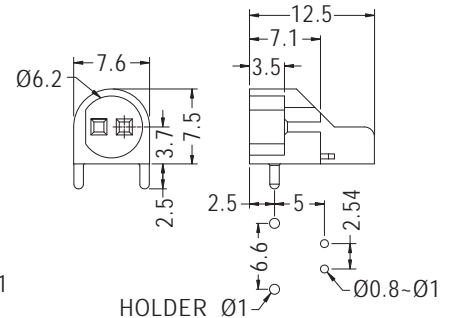
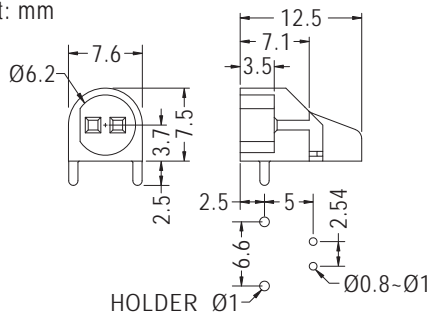
MOUNTING HOLE

用途：用於Ø5 mm 2或3 PIN LED成90°焊於PC板上，高度一致，有定位腳，不傾斜。

3



- Material: Nylon 66 (UL)
- Flame Class: 94V-2/94V-0
- Color: Black
- Unit: mm



Part No.	Package
LEK-560	1000

Part No.	Package
LEK-561	1000

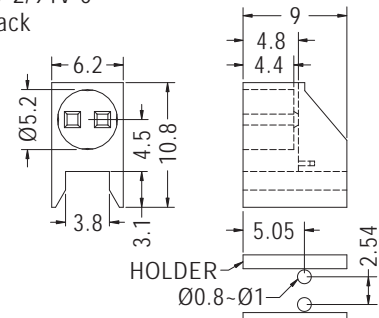
MOUNTING HOLE

MOUNTING HOLE

用途：使Ø5 mm LED成90°焊於PC板上，高度一致，有定位腳，不傾斜。

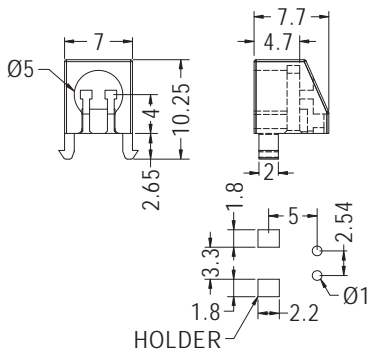


- Material: Nylon 66 (UL)
- Flame Class: 94V-2/94V-0
- Color: Natural/Black
- Unit: mm



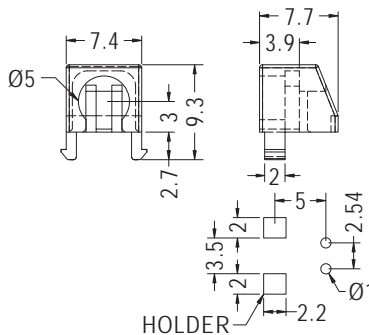
Part No.	Package
LEK-507	1000

MOUNTING HOLE



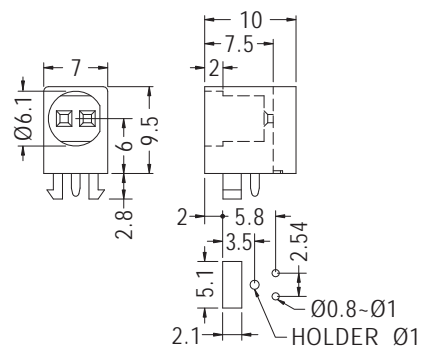
Part No.	Package
LEJB-4	1000

MOUNTING HOLE THICKNESS 1.6



Part No.	Package
LEK-549	1000

MOUNTING HOLE THICKNESS 1.6



Part No.	Package
LEK-506	1000

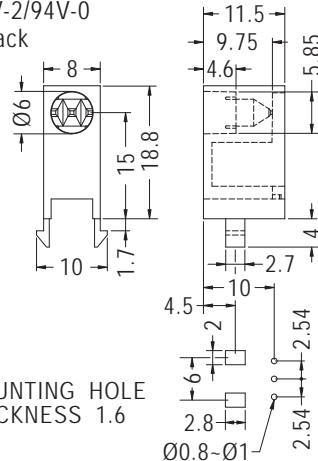
MOUNTING HOLE THICKNESS 1.6

# 90° LED燈座 90° LED HOLDER

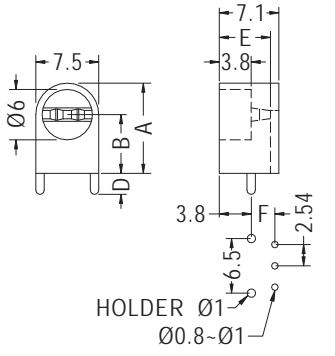


- Material: Nylon 66 (UL)
- Flame Class: 94V-2/94V-0
- Color: Natural/Black
- Unit: mm

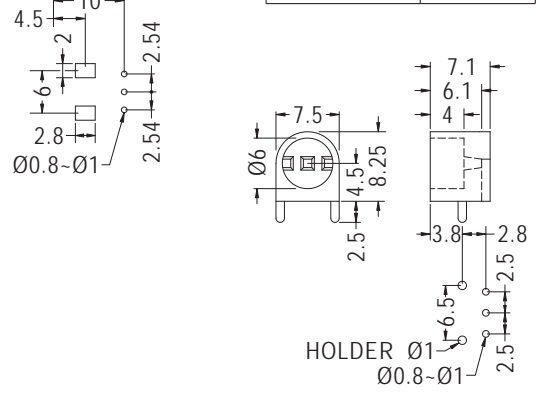
用途：使 $\varnothing 5$  mm 3 PIN LED成90°焊於PC板上，高度一致，有定位腳，不傾斜。



Part No.	Package
LEK-517	1000



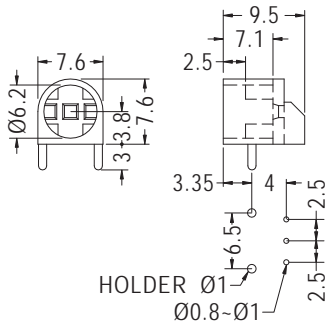
MOUNTING HOLE



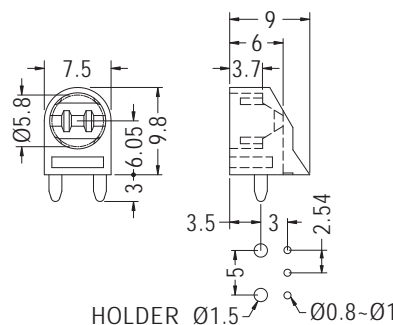
MOUNTING HOLE

Part No.	A	B	D	E	F	Package
LEK503-7	10.75	7.0	2.5	6.1	2.8	1000
LEK503-18	21.75	18.0	3.1	5.9	2.6	

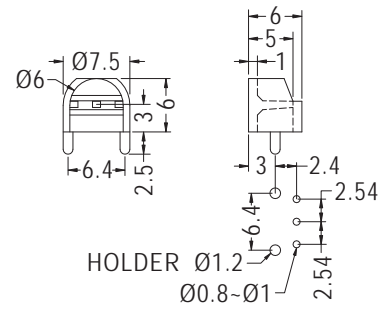
Part No.	Package
LEK-503	1000



MOUNTING HOLE



MOUNTING HOLE



MOUNTING HOLE

Part No.	Package
LEK-501	1000

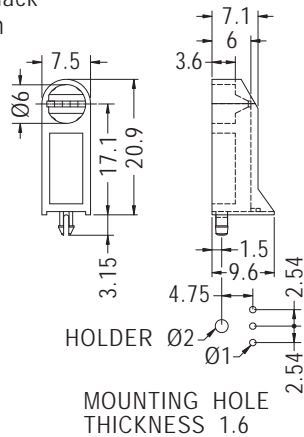
Part No.	Package
LEK-505	1000

Part No.	Package
LEK-508	1000

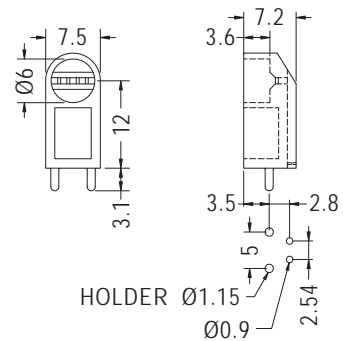


- Material: Nylon 66 (UL)
- Flame Class: 94V-2/94V-0
- Color: Black
- Unit: mm

用途：使 $\varnothing 5$  mm LED成90°焊於PC板上，高度一致，有定位腳，不傾斜。



MOUNTING HOLE THICKNESS 1.6



MOUNTING HOLE

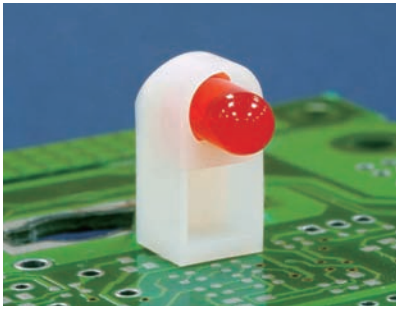
- Color: Natural/Black

Part No.	Package
LEK-546	1000

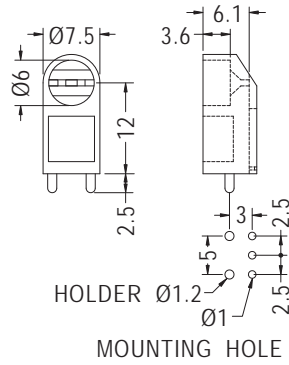
Part No.	Package
LEK-556	1000

# 90° LED燈座 90° LED HOLDER

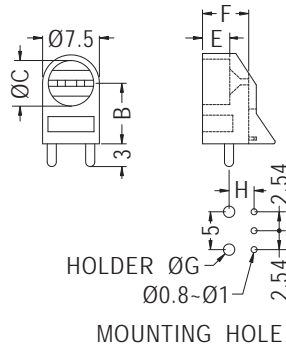
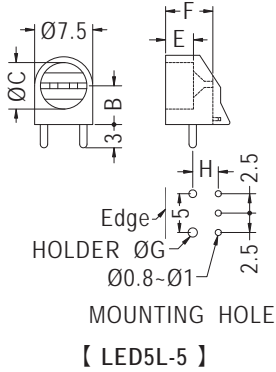
用途：使 $\varnothing 5$  mm 3 PIN LED成90°焊於PC板上，高度一致，有定位腳，不傾斜。



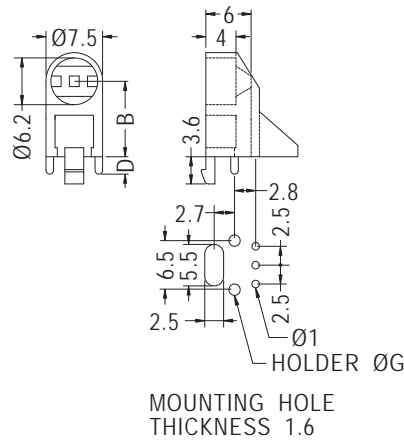
- Material: Nylon 66 (UL)
- Flame Class: 94V-2/94V-0
- Color: Natural/Black
- Unit: mm



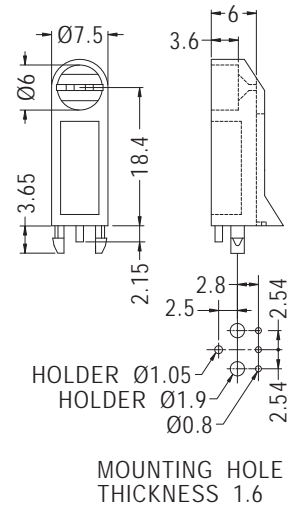
Part No.	Package
LED5L-12	1000



Part No.	B	C	E	F	G	H	Package
LED5L-5	5.0	6.1	3.6	6.0	1.0	3.3	1000
LED5L-8	8.0	6.05	3.7	6.0	1.5	3.3	
LED5L-11	11.0	6.1	3.6	6.1	1.5	3.0	
LED5L-14	14.0	6.05	3.7	6.1	1.5	3.3	
LED5L-17	17.5	6.2	3.6	6.1	1.2	3.0	



Part No.	B	D	G	Package
LED5L-7	7.0	2.5	1.7	1000
LED5L-10	10.0	2.3	1.5	
LED5L-13	13.5	2.3	1.5	

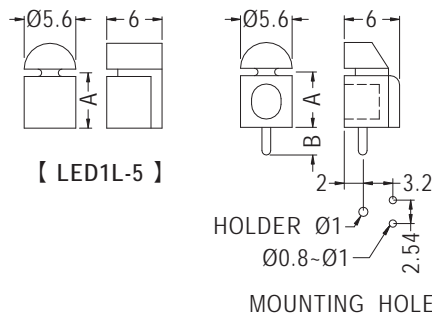


Part No.	Package
LED5L-18	1000



- Material: Nylon 66 (UL)
- Flame Class: 94V-2/94V-0
- Color: Natural/Black
- Unit: mm

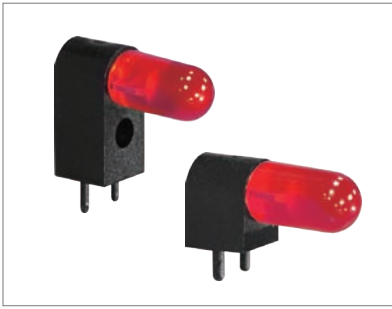
用途：使LED成90°焊於PC板上，高度一致，有定位腳，不傾斜。



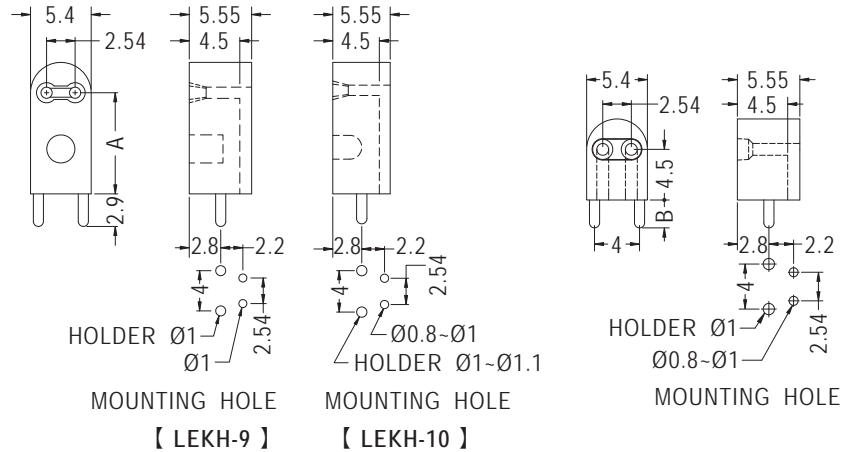
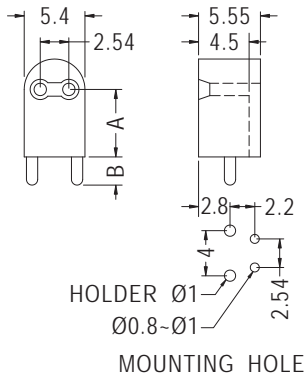
Part No.	A	B	Package
LED1L-5	5.0		2000
LED1L-6	6.0	3.0	
LED1L-7	7.0	3.0	
LED1L-8	8.0	3.0	1000
LED1L-9	9.0	3.0	
LED1L-10	10.0	2.5	

# 90° LED燈座 90° LED HOLDER

用途：使LED成90°焊於PC板上，高度一致，有定位腳，不傾斜。



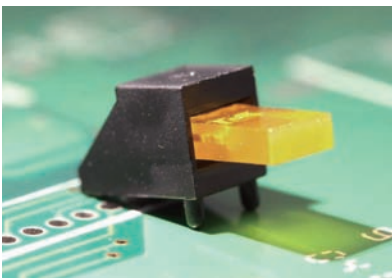
- Material: Nylon 66 (UL)
- Flame Class: 94V-2/94V-0
- Color: Natural/Black
- Unit: mm



Part No.	A	B	Package
LEKH-3	3.0	2.9	1000
LEKH-6	6.0	2.5	
LEKH-7	7.0	2.5	

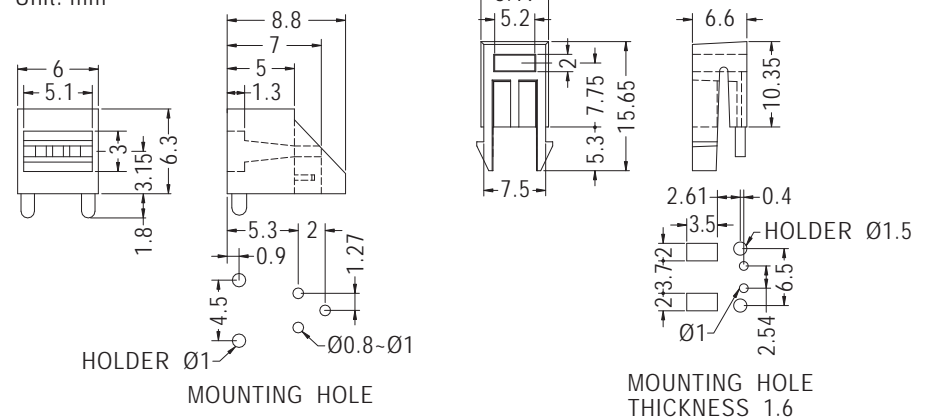
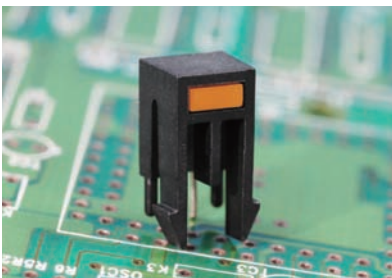
Part No.	A	Package
LEKH-9	9.0	1000
LEKH-10	10.0	

Part No.	B	Package
LEKH-4.5	2.5	1000
LEKH-4.5S	1.2	



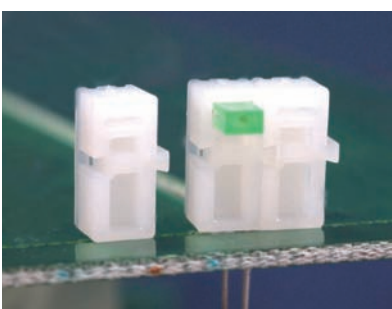
- Material: Nylon 66 (UL)
- Flame Class: 94V-2/94V-0
- Color: Black
- Unit: mm

用途：使方形LED成90°焊於PC板上，高度一致，有定位腳，不傾斜。



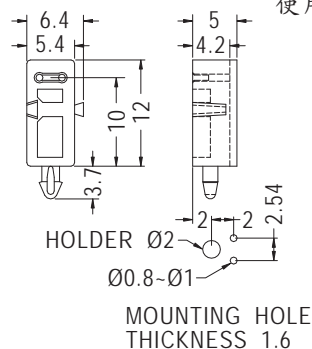
Part No.	Package
LEK-518	1000

Part No.	Package
LEK-520	1000



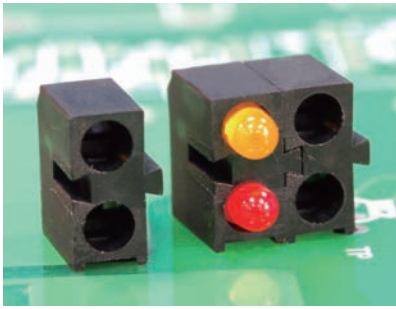
- Material: Nylon 66 (UL)
- Flame Class: 94V-2/94V-0
- Color: Natural/Black
- Unit: mm

用途：使LED成90°焊於PC板上，高度一致，有定位腳，不傾斜，可組合使用。

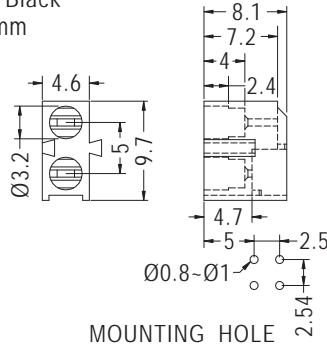


Part No.	Package
LEKH-6301	1000

# 90° LED燈座 90° LED HOLDER

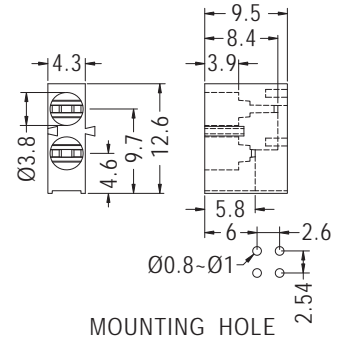


- Material: Nylon 66 (UL)
- Flame Class: 94V-2/94V-0
- Color: Black
- Unit: mm



Part No.	Package
LED-6302	2000

用途：使Ø3 mm LED成90°焊於PC板上，高度一致，不斷腳，可組合使用。

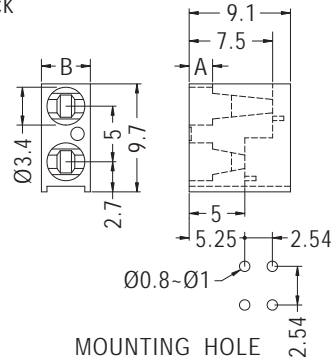


Part No.	Package
LED-6303	2000

3

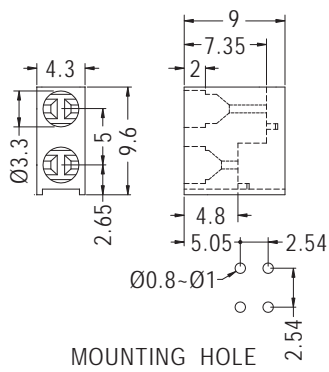


- Material: Nylon 66 (UL)
- Flame Class: 94V-2/94V-0
- Color: Black
- Unit: mm

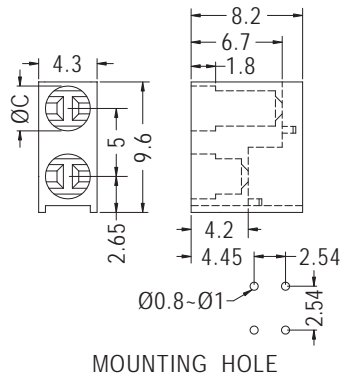


用途：使Ø3 mm LED成90°焊於PC板上，高度一致，不斷腳。

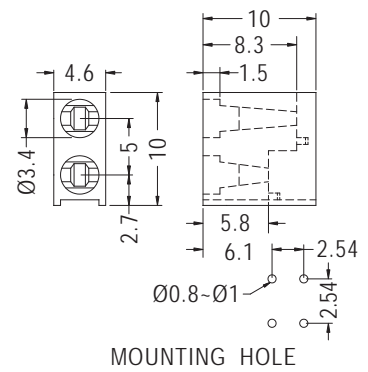
Part No.	A	B	Package
LED-306	2.1	4.4	1000
LED-306(A)	1.5	4.3	



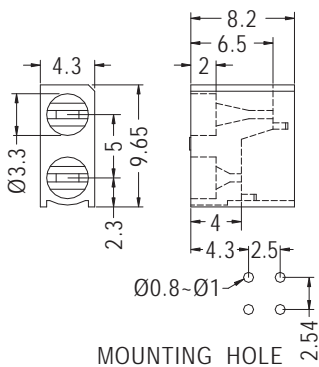
Part No.	Package
LED-306(B)	1000



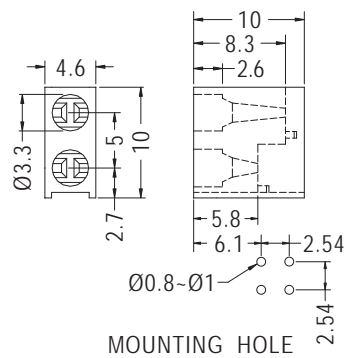
Part No.	C	Package
LED-307	3.3	1000
LED-307(A)	3.2	



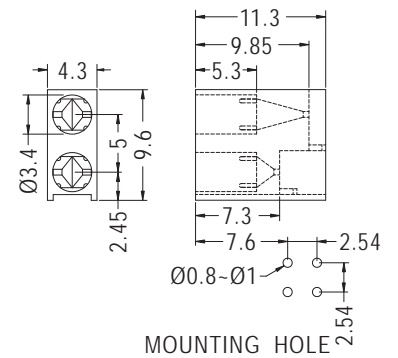
Part No.	Package
LED-308	1000



Part No.	Package
LED-322	1000



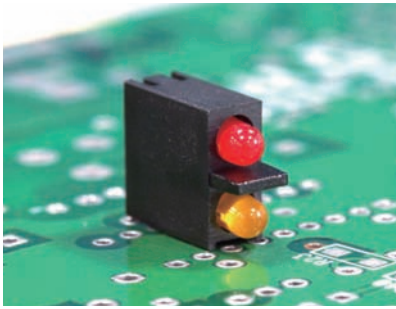
Part No.	Package
LED-324	1000



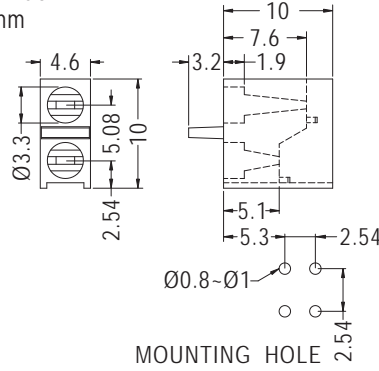
Part No.	Package
LED-323	1000



# 90° LED燈座 90° LED HOLDER

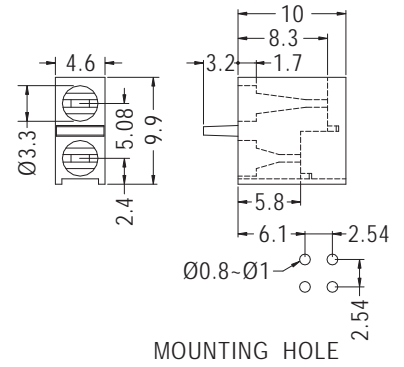


- Material: Nylon 66 (UL)
- Flame Class: 94V-2/94V-0
- Color: Black
- Unit: mm

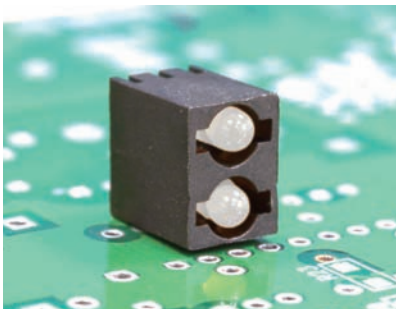


Part No.	Package
LED-305	1000

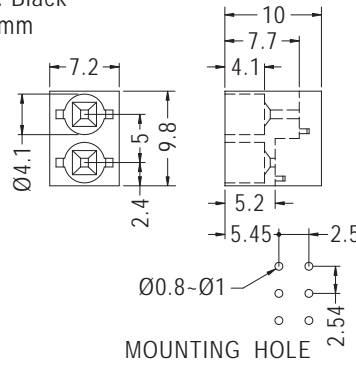
用途：使Ø3 mm LED成90°焊於PC板上，高度一致，不斷腳。



Part No.	Package
LED-317	1000

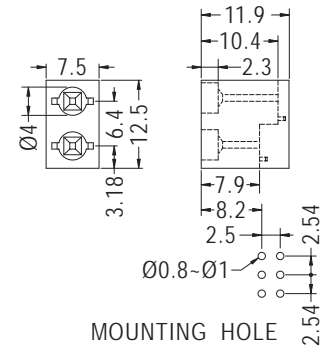


- Material: Nylon 66 (UL)
- Flame Class: 94V-2/94V-0
- Color: Black
- Unit: mm



Part No.	Package
LED-310	1000

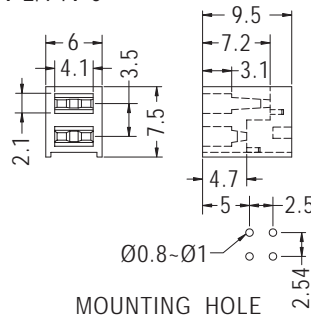
用途：使Ø3 mm 3 PIN LED成90°焊於PC板上，高度一致，不斷腳。



Part No.	Package
LED-342	1000

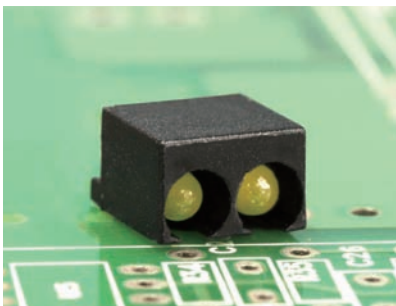


- Material: Nylon 66 (UL)
- Flame Class: 94V-2/94V-0
- Color: Black
- Unit: mm

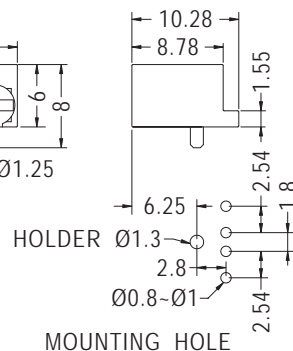


Part No.	Package
LED-521	1000

用途：使方形LED成90°焊於PC板上，高度一致，不斷腳。



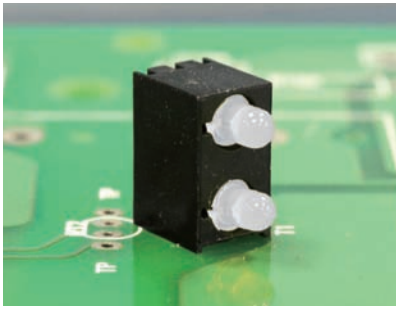
- Material: Nylon 66 (UL)
- Flame Class: 94V-2/94V-0
- Color: Black
- Unit: mm



Part No.	Package
LEK-316	2000

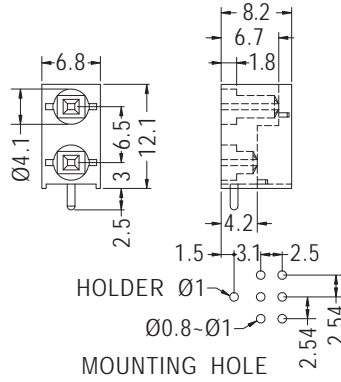
用途：使Ø3 mm 3 PIN LED成90°焊於PC板上，高度一致，有定位腳，不傾斜。

# 90° LED燈座 90° LED HOLDER

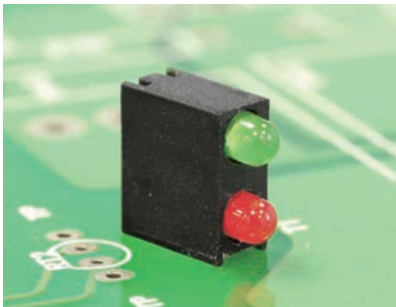


- Material: Nylon 66 (UL)
- Flame Class: 94V-2/94V-0
- Color: Black
- Unit: mm

用途：使 $\varnothing 3$  mm 3 PIN LED成90°焊於PC板上，高度一致，有定位腳，不傾斜。

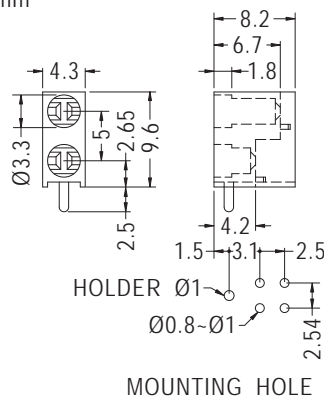


Part No.	Package
LEK-327	1000

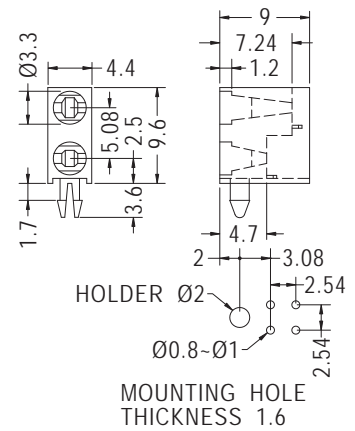


- Material: Nylon 66 (UL)
- Flame Class: 94V-2/94V-0
- Color: Black
- Unit: mm

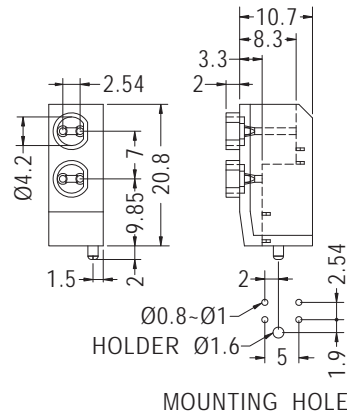
用途：使 $\varnothing 3$  mm LED成90°焊於PC板上，高度一致，有定位腳，不斷腳。



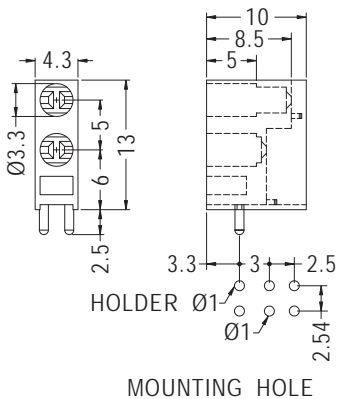
Part No.	Package
LEK-307	1000



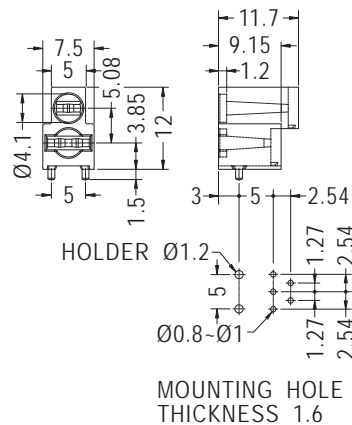
Part No.	Package
LEK-320	1000



Part No.	Package
LEK-323	1000



Part No.	Package
LEK-325	1000



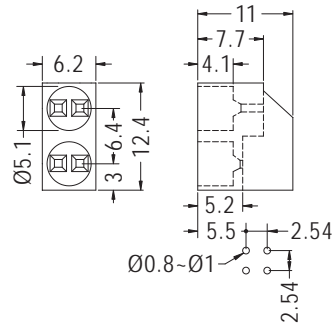
Part No.	Package
LEK-345	2000

# 90° LED燈座 90° LED HOLDER



- Material: Nylon 66 (UL)
- Flame Class: 94V-2/94V-0
- Color: Black
- Unit: mm

用途：使 $\varnothing 5$  mm LED成90°焊於PC板上，高度一致，不斷腳。



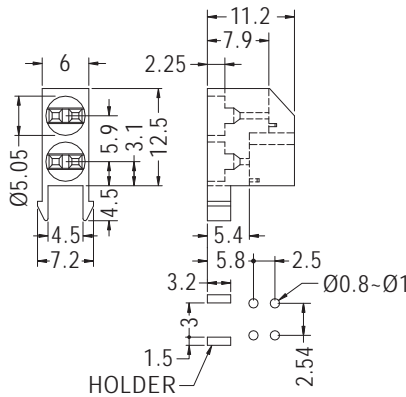
Part No.	Package
LED-525	1000

MOUNTING HOLE



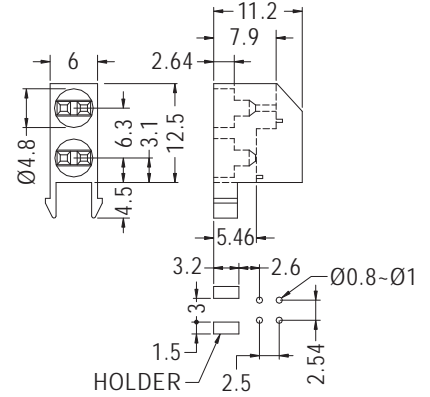
- Material: Nylon 66 (UL)
- Flame Class: 94V-2/94V-0
- Color: Black
- Unit: mm

用途：使 $\varnothing 5$  mm LED成90°焊於PC板上，高度一致，有定位腳，不傾斜。



MOUNTING HOLE THICKNESS 1.6

Part No.	Package
LEK-512	1000



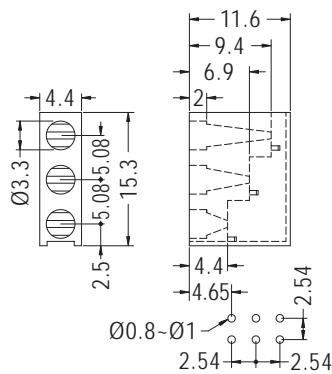
MOUNTING HOLE THICKNESS 1.6

Part No.	Package
LEK-515	1000



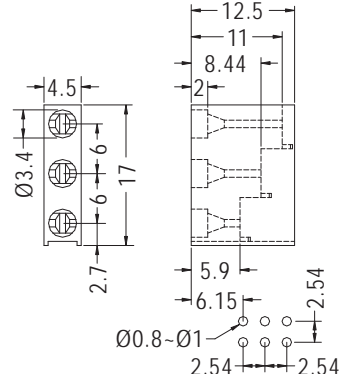
- Material: Nylon 66 (UL)
- Flame Class: 94V-2/94V-0
- Color: Black
- Unit: mm

用途：使 $\varnothing 3$  mm LED成90°焊於PC板上，高度一致，不斷腳。



MOUNTING HOLE

Part No.	Package
LED-330	1000



MOUNTING HOLE

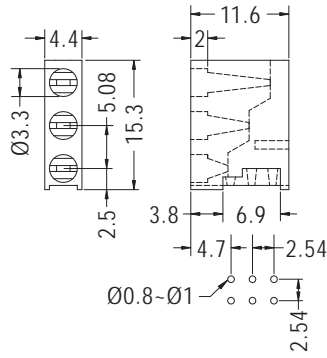
Part No.	Package
LED-331	1000

# 90° LED燈座 90° LED HOLDER

用途：使Ø3 mm LED成90°焊於PC板上，高度一致，組合式字母套，焊腳不搖動。

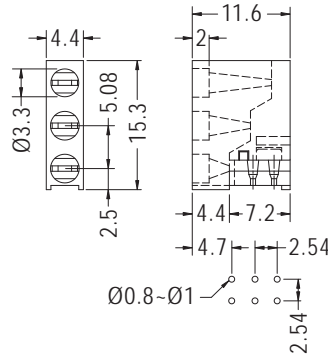


- Material: Nylon 66 (UL)
- Flame Class: 94V-2/94V-0
- Color: Black
- Unit: mm



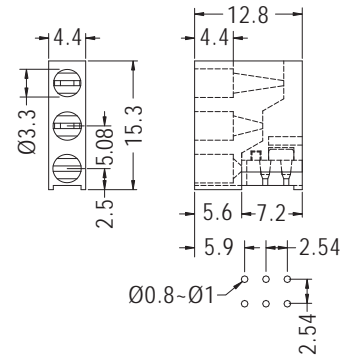
MOUNTING HOLE

Part No.	Package
LH-330	1000



MOUNTING HOLE

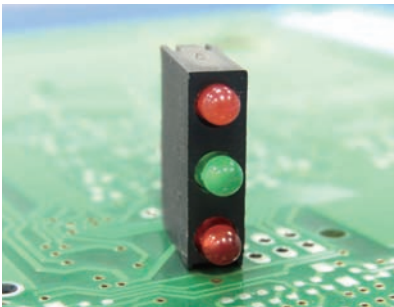
Part No.	Package
KLH-330	1000



MOUNTING HOLE

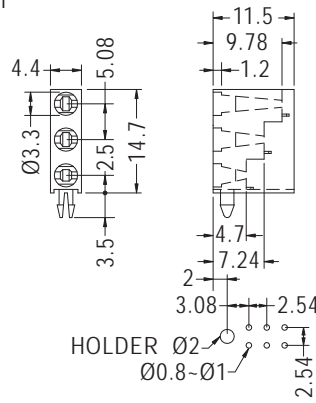
Part No.	Package
KLH-331	1000

3



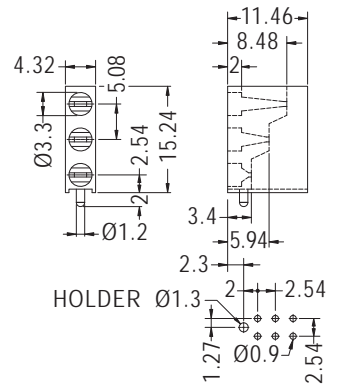
- Material: Nylon 66 (UL)
- Flame Class: 94V-2/94V-0
- Color: Black
- Unit: mm

用途：使Ø3 mm LED成90°焊於PC板上，高度一致，有定位腳，不傾斜。



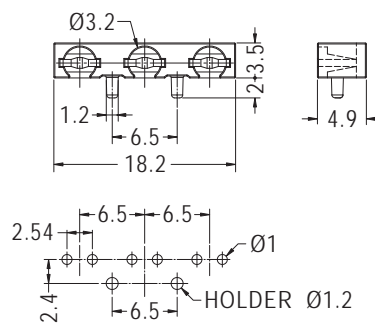
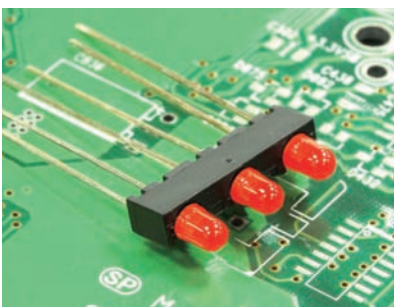
MOUNTING HOLE THICKNESS 1.6

Part No.	Package
LEK-330	1000



MOUNTING HOLE

Part No.	Package
LEK-331	1000

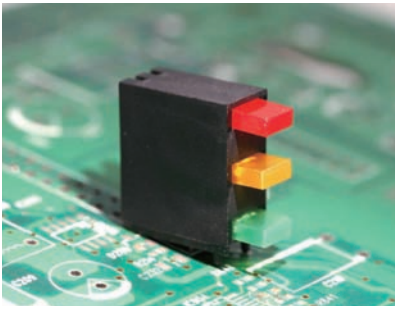


MOUNTING HOLE

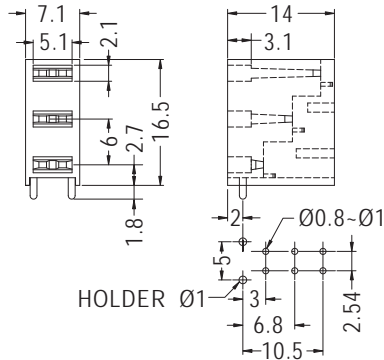
Part No.	Package
LEK-348	1000

# 90° LED燈座 90° LED HOLDER

用途：使方形LED成90°焊於PC板上，高度一致，有定位腳，不傾斜。

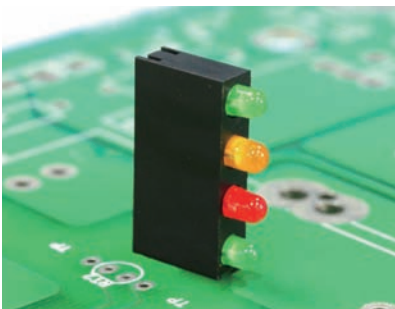


- Material: Nylon 66 (UL)
- Flame Class: 94V-2/94V-0
- Color: Black
- Unit: mm



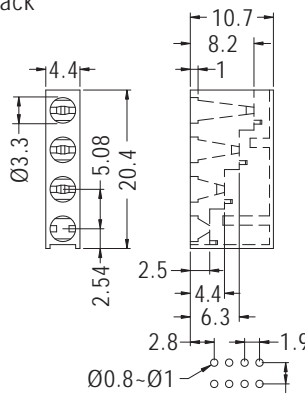
Part No.	Package
LEK-315	1000

MOUNTING HOLE



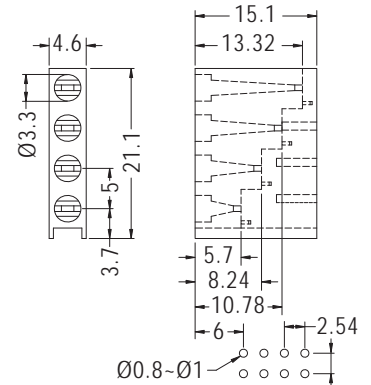
- Material: Nylon 66 (UL)
- Flame Class: 94V-2/94V-0
- Color: Black
- Unit: mm

用途：使Ø3 mm LED成90°焊於PC板上，高度一致，不斷腳。



MOUNTING HOLE

Part No.	Package
LED-340	1000



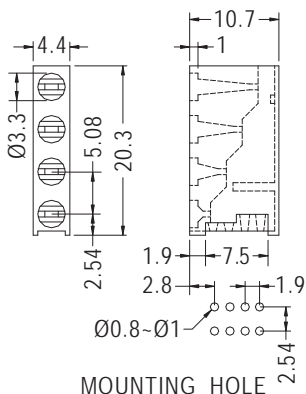
MOUNTING HOLE

Part No.	Package
LED-345	1000



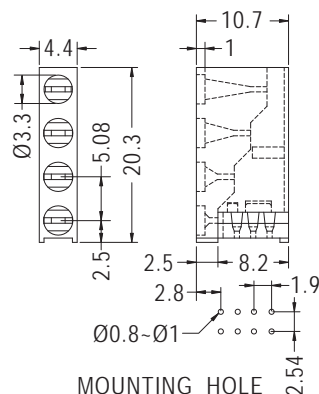
- Material: Nylon 66 (UL)
- Flame Class: 94V-2/94V-0
- Color: Black
- Unit: mm

用途：使Ø3 mm LED成90°焊於PC板上，高度一致，組合式子母套，焊腳不搖動。



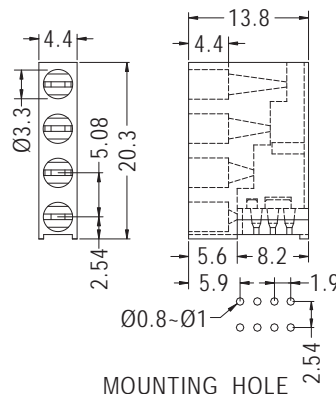
MOUNTING HOLE

Part No.	Package
LH-340	1000



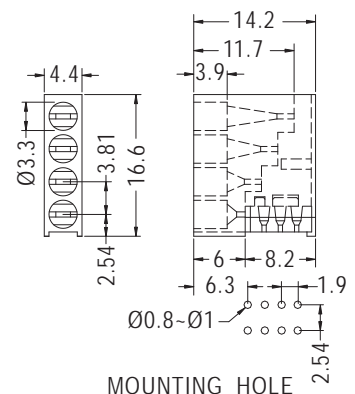
MOUNTING HOLE

Part No.	Package
KLH-340	1000



MOUNTING HOLE

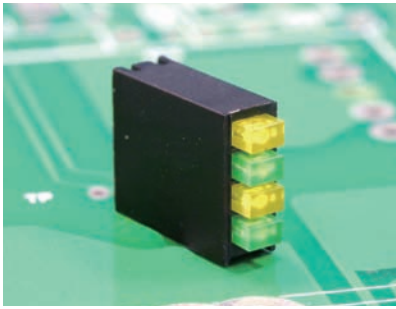
Part No.	Package
KLH-341	1000



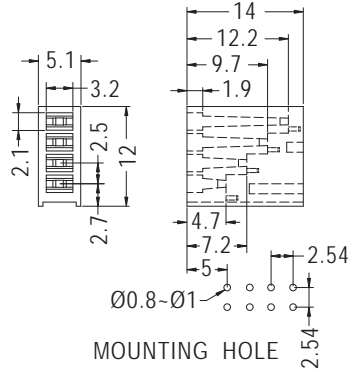
MOUNTING HOLE

Part No.	Package
KLH-342	1000

## 90° LED燈座 90° LED HOLDER



- Material: Nylon 66 (UL)
- Flame Class: 94V-2/94V-0
- Color: Black
- Unit: mm



用途：使方形LED成90°焊於PC板上，高度一致，不斷腳。

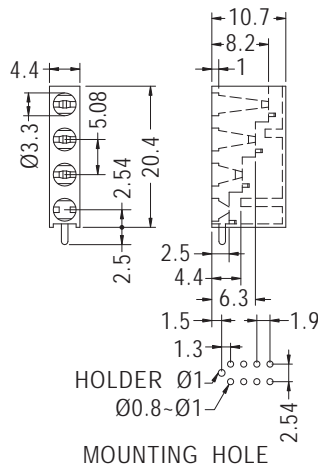
Part No.	Package
LED-341	1000

3



- Material: Nylon 66 (UL)
- Flame Class: 94V-2/94V-0
- Color: Black
- Unit: mm

用途：使Ø3 mm LED成90°焊於PC板上，高度一致，有定位腳，不傾斜。



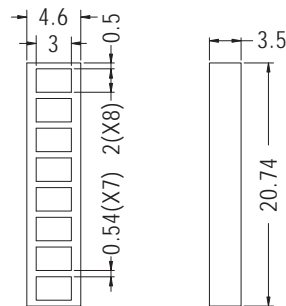
Part No.	Package
LEK-340	1000

## LED燈座 LED MOUNT



- Material: Silicon Rubber
- Color: Black
- Unit: mm

用途：用於LED座。

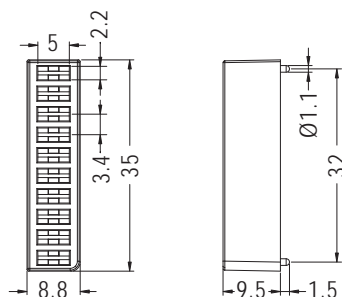


Part No.	Package
TF-1298	1000



- Material: Nylon 66 (UL)
- Flame Class: 94V-2/94V-0
- Color: Black
- Unit: mm

用途：使方形5X2 LED 10顆預先組合，可快速固定於PC板上。



Part No.	Package
LED101	500