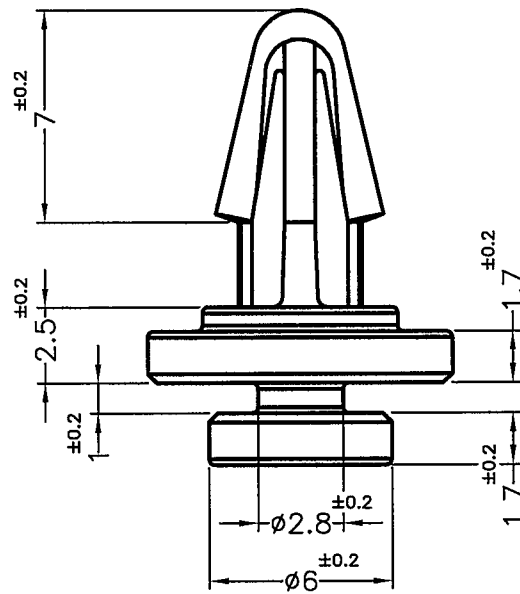


HOLE IN P.C.B:  $\phi 4.0\text{mm}$   
THICKNESS: 2.67mm



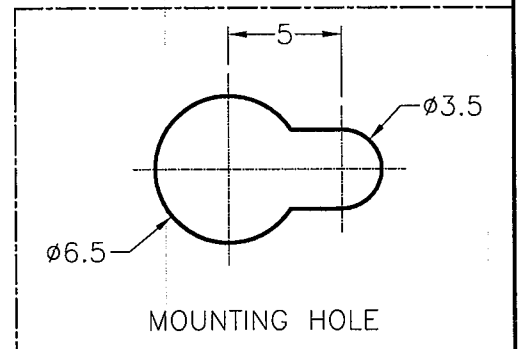
PART NO.	COLOR
ACB-2.3V0	NATURAL(WHITE)
ACB-2.3V0(B)	BLACK

NOTE: 1. MADE OF EQUIVALENT MATERIAL.

均可使用同等材質。

2. THE COLOR BATCH TEST REPORT IS ONLY FOR TEST PURPOSE.

色母環保檢測報告, 僅提供原始測試報告。



康揚企業股份有限公司  
KANG YANG HARDWARE ENTERPRISE CO., LTD.  
康揚塑膠(東莞)有限公司  
KANG YANG PLASTIC(DONG GUAN)CO.,LTD.  
康哲電腦配件(吳江)有限公司  
KANG CHE COMPUTER COMPONENTS(WUJIANG)CO.,LTD.

PROPRIETARY AND CONFIDENTIAL THE INFORMATION CONTAINED IN THIS DRAWING IS THE SOLE PROPERTY OF KANG YANG HARDWARE ENTERPRISE CO. ANY REPRODUCTION IN PART OR AS A WHOLE WITHOUT THE WRITTEN PERMISSION OF KANG YANG HARDWARE ENTERPRISE CO. IS PROHIBITED.  DO NOT SCALE DRAWING	DATE	2019.03.22	TITLE	SPACER SUPPORT	DWG. NO.	ACB-2.3V0	PART NO.	SEE ABOVE
	DRAWN	FORSEN	MATERIAL	NYLON 66 UL94V-0	SIZE	A4	SPEC. DWG.	REV
	CHECKED	林祺翔	COLOR	SEE ABOVE	FINISH			B
	APPROVED	Kang	UNLESS OTHERWISE SPECIFIED TOLERANCE:	SEE ABOVE	SCALE:	4:1	UNIT	mm