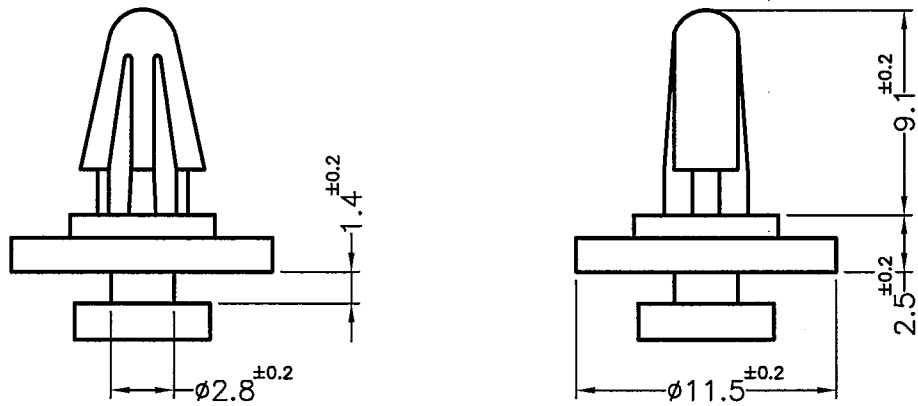
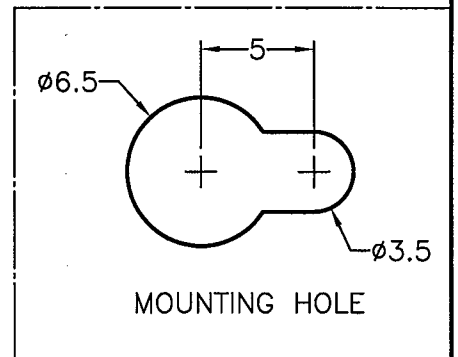


HOLE IN P.C.B $\phi 4.0\text{mm}$
P.C.B THICKNESS 1.6mm



NOTE:MADE OF EQUIVALENT MATERIAL.
可使用同等材質.



康揚企業股份有限公司
KANG YANG HARDWARE ENTERPRISE CO., LTD.
康揚塑膠(東莞)有限公司
KANG YANG PLASTIC(DONG GUAN)CO.,LTD.
康哲電腦配件(吳江)有限公司
KANG CHE COMPUTER COMPONENTS(WUJIANG)CO.,LTD.

PROPRIETARY AND CONFIDENTIAL THE INFORMATION CONTAINED IN THIS DRAWING IS THE SOLE PROPERTY OF KANG YANG HARDWARE ENTERPRISE CO. ANY REPRODUCTION IN PART OR AS A WHOLE WITHOUT THE WRITTEN PERMISSION OF KANG YANG HARDWARE ENTERPRISE CO. IS PROHIBITED.	DATE	1998.07.06	TITLE	SPACER SUPPORT		DWG. NO.	PART NO.	
	DRAWN	JASON	MATERIAL	NYLON 66 UL94V-2		ACB-2.5	ACB-2.5	
	CHECKED	林祺翔	COLOR	NATURAL	FINISH	SIZE	SPEC. DWG.	REV
	APPROVED	Kang	UNLESS OTHERWISE SPECIFIED TOLERANCE: SEE ABOVE		A4	A		
DO NOT SCALE DRAWING					SCALE: 3:1	UNIT	mm	SHEET 1 OF 1