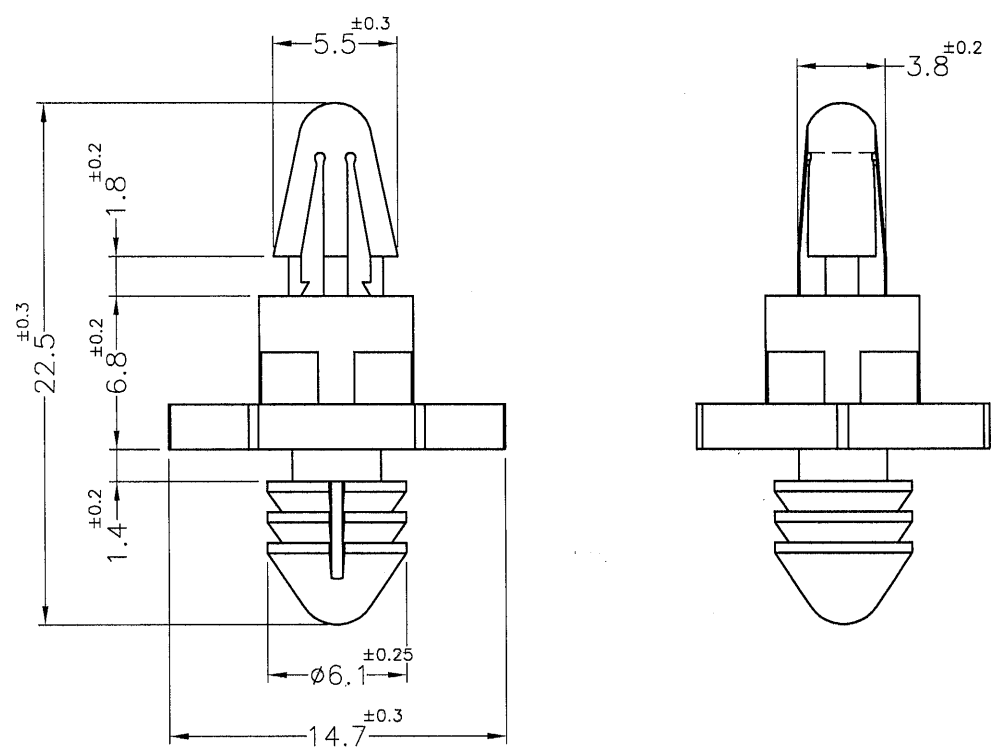




REVISIONS			
REV	DESCRIPTION	DATE	BY

HOLE IN CHASSIS:  $\phi 4.0$   
 CHASSIS THICKNESS: 1.2~1.6mm



HOLE IN WOODENWARE:  $\phi 6.0$   
 WOODENWARE THICKNESS: >7mm

NOTE: MADE OF EQUIVALENT MATERIAL.  
 均可使用同等材質.

 康揚企業股份有限公司 KANG YANG HARDWARE ENTERPRISE CO., LTD. 康揚塑膠(東莞)有限公司 KANG YANG PLASTIC(DONG GUAN) CO., LTD. 康哲電腦配件(吳江)有限公司 KANG CHE COMPUTER COMPONENTS(WUJIANG) CO., LTD.		TITLE	SPACER SUPPORT	SPEC. DWG.	
		MATERIAL	NYLON 66 UL94V-2	DATE	2016.09.20
		FINISH		DRAWN	C. S. L
		COLOR	NATURAL	CHECK	
PART NUMBER	ACBW-6.8	DRAWING NUMBER	ACBW-H	UNLESS OTHERWISE SPECIFIED TOLERANCE	SEE ABOVE
SIZE	A4	SCALE	3:1	UNIT	mm
REV	A	APPROVED	