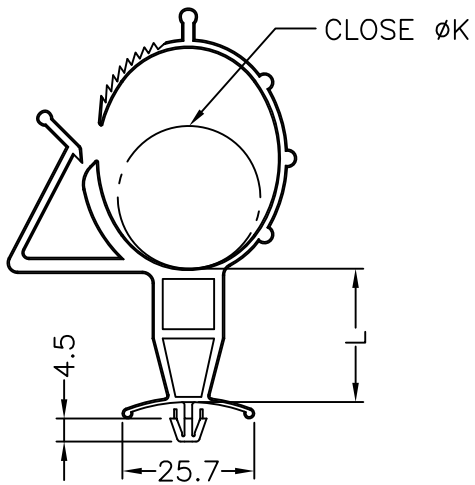


HOLE : G
THICKNESS: T



PART NO.	K	L	G	T
AWD-1	ø27.8~ø33.8	26	5.5	1~1.2
AWD-2		9		

NOTE:A, D

其餘同目錄尺寸