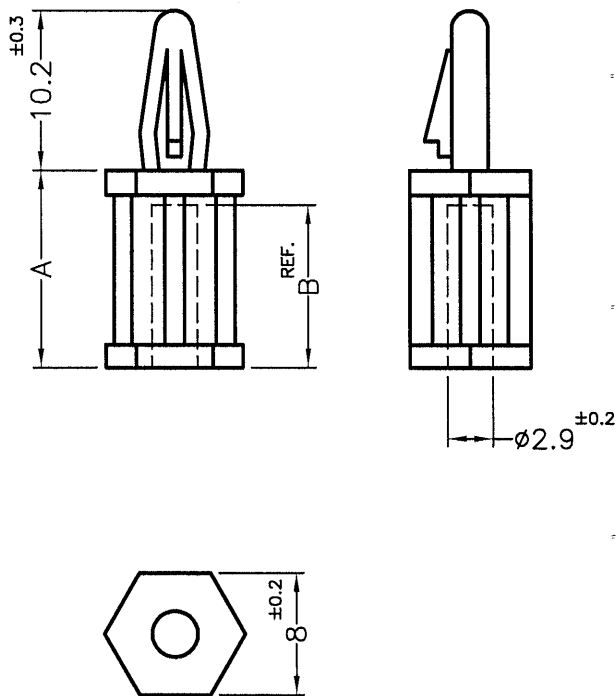


DIM.	TOL.
5mm DOWN	±0.2
5~20mm	±0.3
20~40mm	±0.4
40~60mm	±0.5
60~100mm	±0.8
100mm UP	±1.0



REVISIONS			
REV	DESCRIPTION	DATE	BY

MOUNTING HOLE $\phi 4$
THICKNESS 1.6mm



PART NO.	A	B ^{REF.}
BS-6	6.4	4.8
BS-9	9.5	8.0
BS-12	12.7	11.0
BS-14	14.0	12.7
BS-15	15.9	13.0
BS-19	19.1	16.2
BS-22	22.2	19.4
BS-25	25.4	24.0
BS-28	28.6	25.9
BS-29	29.0	25.9

NOTE: 1. SHRINKING IS NORMAL STATUS.
內縮為正常現象。
2. MADE OF EQUIVALENT MATERIAL.
均可使用同等材質。

 <p>康揚企業股份有限公司 KANG YANG HARDWARE ENTERPRISE CO., LTD. 康揚塑膠(東莞)有限公司 KANG YANG PLASTIC(DONG GUAN) CO., LTD. 康哲電腦配件(吳江)有限公司 KANG CHE COMPUTER COMPONENTS(WUJIANG) CO., LTD.</p>		TITLE	THREADED SPACER	SPEC. DWG.	
		MATERIAL	NYLON 66 UL94V-2	DATE	1998.05.27
		FINISH		DRAWN	JASON
		COLOR	NATURAL	CHECK	
PART NUMBER	SEE ABOVE	DRAWING NUMBER	BS-H	UNLESS OTHERWISE SPECIFIED TOLERANCE	SEE ABOVE
SIZE	A4	SCALE	3:1	UNIT	mm
REV	B	APPROVED	