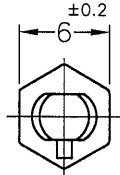
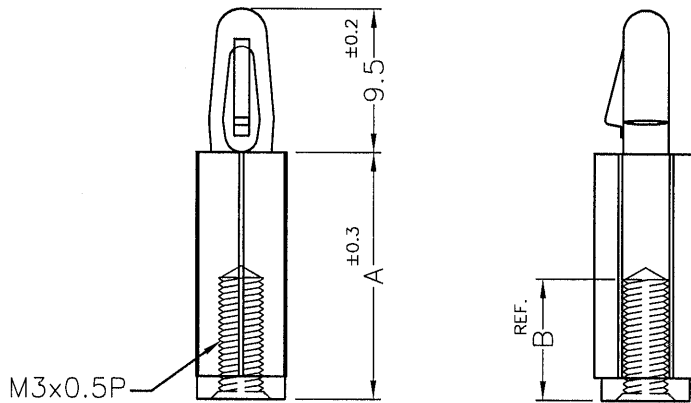


REVISIONS			
REV	DESCRIPTION	DATE	BY


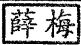



HOLE IN P.C.B $\phi 4.0$
P.C.B THICKNESS 1.6



PART NO.	A	B
BSCB-10(B)	10	8
BSCB-12(B)	12	8
BSCB-15(B)	15	10

NOTE:MADE OF EQUIVALENT MATERIAL.
均可使用同等材質.

 <p>康揚企業股份有限公司 KANG YANG HARDWARE ENTERPRISE CO., LTD. 康揚塑膠(東莞)有限公司 KANG YANG PLASTIC(DONG GUAN) CO., LTD. ISO 9001 ISO 14001 QC 080000 康哲電腦配件(吳江)有限公司 KANG CHE COMPUTER COMPONENTS(WUJIANG) CO., LTD.</p>				TITLE	SPACER SUPPORT	SPEC. DWG.	
				MATERIAL	NYLON 66 UL94V-2	DATE	2014.03.12
				FINISH		DRAWN	ROBERT
				COLOR	BLACK	CHECK	
PART NUMBER	SEE ABOVE	DRAWING NUMBER	BSCB-H(B)	UNLESS OTHERWISE SPECIFIED TOLERANCE	SEE ABOVE	APPROVED	
SIZE	A4	SCALE	2:1	UNIT	mm	REV	C