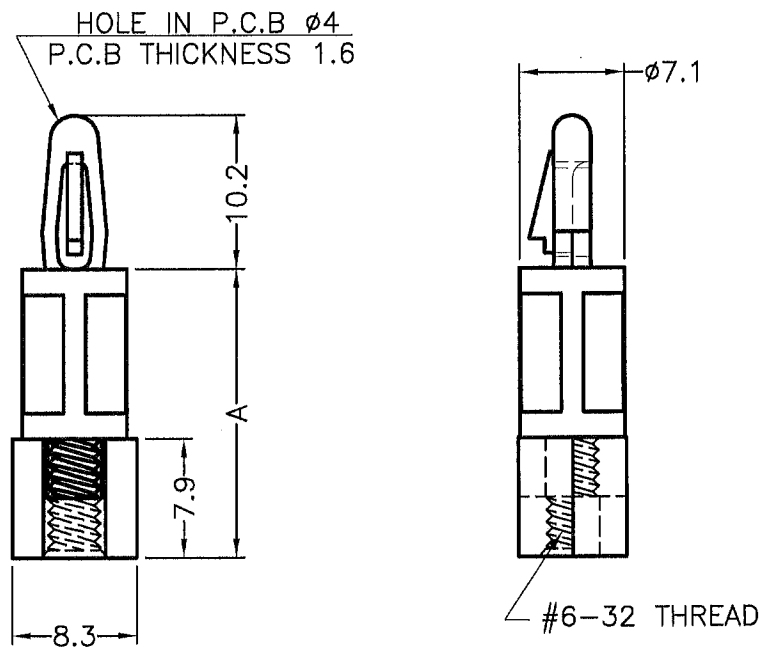



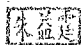
DIM.	TOL
5mm DOWN	±0.2
5~20mm	±0.3
20~40mm	±0.4
40~60mm	±0.5
60~100mm	±0.8
100mm UP	±1.0

REVISIONS			
REV	DESCRIPTION	DATE	BY



PART NO.	A
BSD632-9.5	9.5
BSD632-12.7	12.7
BSD632-15.9	15.9
BSD632-19.1	19.1
BSD632-22.2	22.2
BSD632-25.4	25.4

NOTE: All measurement does not include gate which raises under 0.3mm.

 <p>康揚企業股份有限公司 KANG YANG HARDWARE ENTERPRISE CO., LTD. 康揚塑膠(東莞)有限公司 KANG YANG PLASTIC(DONG GUAN) CO., LTD. 康哲電腦配件(吳江)有限公司 KANG CHE COMPUTER COMPONENTS(WUJIANG) CO., LTD.</p>	TITLE SPACER SUPPORT		SPEC. DWG.	
	MATERIAL NYLON 66 UL94V-2		DATE 2014.01.08	
	HARDNESS		DRAWN Y.C.P	
	COLOR NATURAL		CHECK 	
PART NUMBER SEE ABOVE	DRAWING NUMBER BSD632-H		UNLESS OTHERWISE SPECIFIED TOLERANCE SEE ABOVE	
SIZE A4	SCALE 2:1	UNIT mm	REV A	APPROVED 