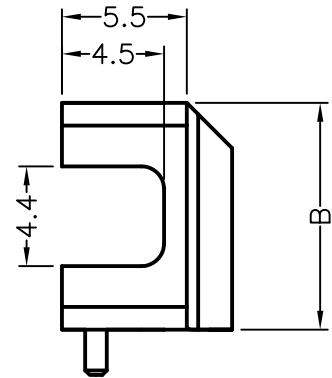
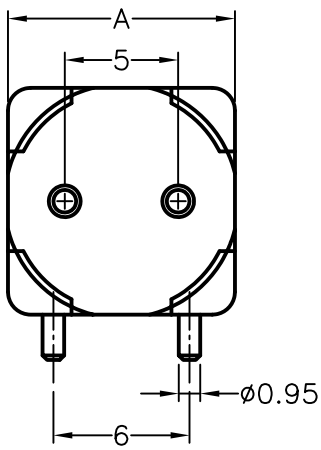


MOUNTING HOLE



專利品

PART NO.	A	B	C
CAPH-10	10.0	10.0	7.5