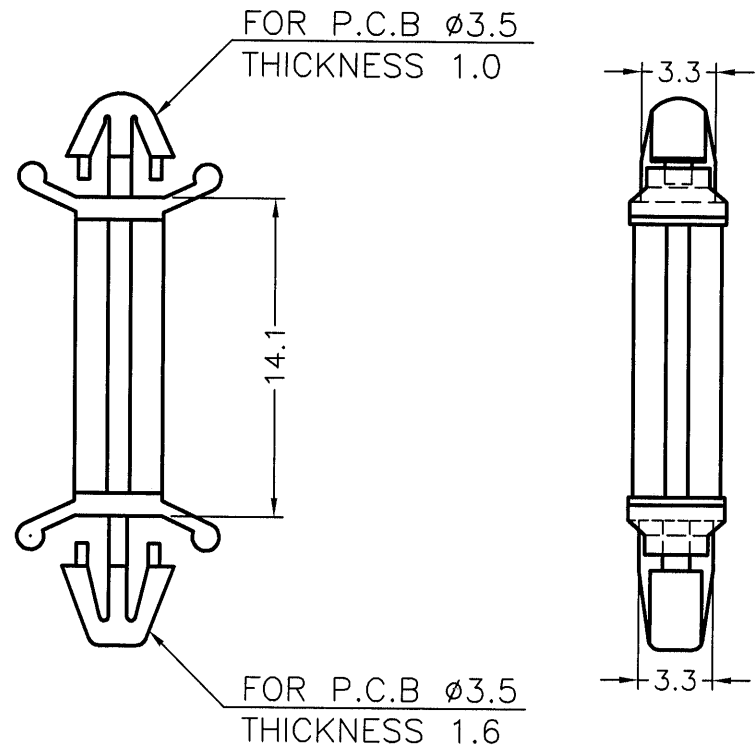




REVISIONS			
REV	DESCRIPTION	DATE	BY



NOTE:MADE OF EQUIVALENT MATERIAL.  
使用同等材質

 康揚企業股份有限公司 KANG YANG HARDWARE ENTERPRISE CO., LTD. 東莞康揚塑膠五金電子廠 DONG GUAN KANG YANG PLASTIC HARDWARE COMPANY 康哲電腦配件(吳江)有限公司 KANG CHE COMPUTER COMPONENTS(WUJIANG) CO.,LTD.		TITLE	SPACER SUPPORT	SPEC. DWG.
		MATERIAL	NYLON 66 UL94V-2	DATE
PART NUMBER		FINISH	DRAWN	<i>Linda</i>
CBCS-14		COLOR	CHECK	
SIZE	SCALE	UNLESS OTHERWISE SPECIFIED TOLERANCE		APPROVED
A4	3:1	SEE ABOVE		<i>Kang</i>
DRAWING NUMBER	UNIT	REV		
CBCS-14	mm	A		