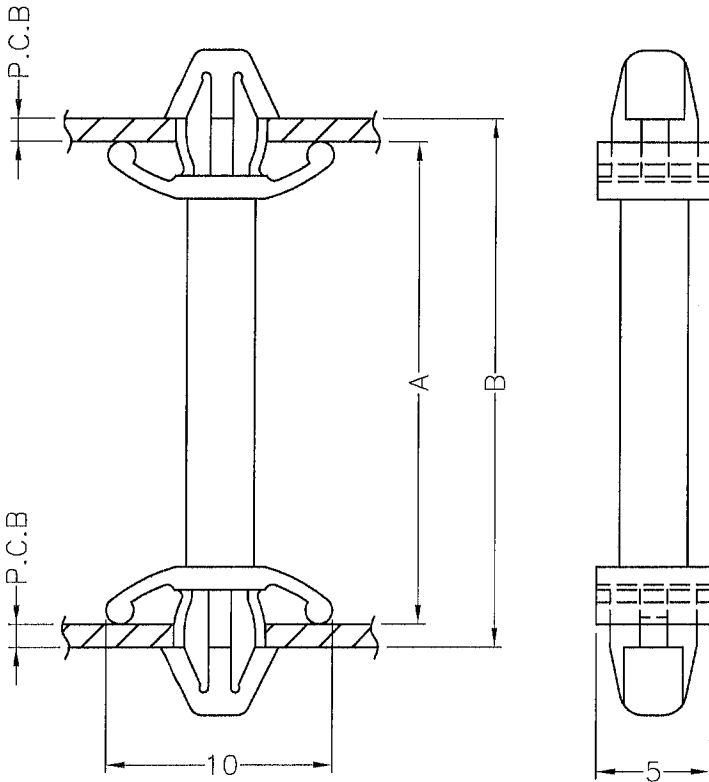


DIM.	TOL.
5mm DOWN	±0.2
5~20mm	±0.3
20~40mm	±0.4
40~60mm	±0.5
60~100mm	±0.8
100mm UP	±1.0

REVISIONS			
REV	DESCRIPTION	DATE	BY

HOLE IN P.C.B $\phi 4.0$
P.C.B THICKNESS 1.6



PART NO.	A	B
CBLSS-6	6.0	9.2
CBLSS-8	8.0	11.2
CBLSS-10	10.0	13.2
CBLSS-12	12.0	15.2
CBLSS-13	13.0	16.2
CBLSS-14	14.0	17.2
CBLSS-16	16.0	19.2
CBLSS-16.8	16.8	20.0
CBLSS-18	18.0	21.2
CBLSS-20	20.0	23.2
CBLSS-42	42.0	45.2

HOLE IN P.C.B $\phi 4.0$
P.C.B THICKNESS 1.6

NOTE: All measurement does not include gate which raises under 0.3mm.

K 康揚企業股份有限公司
KANG YANG HARDWARE ENTERPRISE CO., LTD.
康揚塑膠(東莞)有限公司
KANG YANG PLASTIC(DONG GUAN) CO., LTD.
ISO 9001 ISO 14001
QC 080000 康哲電腦配件(吳江)有限公司
KANG CHE COMPUTER COMPONENTS(WUJIANG) CO., LTD.

TITLE	SPACER SUPPORT	SPEC. DWG
MATERIAL	NYLON 66 UL94V-2	DATE 2006.06.26
FINISH		DRAWN BUNNY
COLOR	NATURAL	CHECK
PART NUMBER SEE ABOVE	DRAWING NUMBER CBLSS-H	UNLESS OTHERWISE SPECIFIED TOLERANCE SEE ABOVE
SIZE A4	SCALE 3:1	UNIT mm
REV B		APPROVED