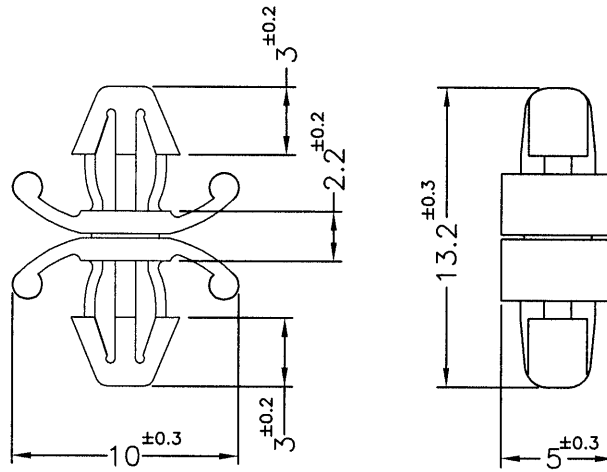



REVISIONS			
REV	DESCRIPTION	DATE	BY

HOLE IN P.C.B $\phi 3.5$
P.C.B THICKNESS 1.6~2.2



HOLE IN P.C.B $\phi 3.5$
P.C.B THICKNESS 1.6~2.2

NOTE: MADE OF EQUIVALENT MATERIAL.
均可使用同等材質.

 康揚企業股份有限公司 KANG YANG HARDWARE ENTERPRISE CO., LTD. 康揚塑膠(東莞)有限公司 KANG YANG PLASTIC(DONG GUAN)CO.,LTD. 康哲電腦配件(吳江)有限公司 KANG CHE COMPUTER COMPONENTS(WUJIANG) CO.,LTD.				TITLE	SPACER SUPPORT		SPEC. DWG.	
				MATERIAL	NYLON 66 UL94V-2		DATE	2010.01.21
PART NUMBER				DRAWING NUMBER				
CBSS-2.2				CBSS-2.2				
HARDNESS				COLOR		DRAWN		
				NATURAL		JIM		
SIZE				SCALE		CHECK		
A4		3:1						
UNIT				REV		APPROVED		
mm				A		Kang		
UNLESS OTHERWISE SPECIFIED TOLERANCE				SEE ABOVE				