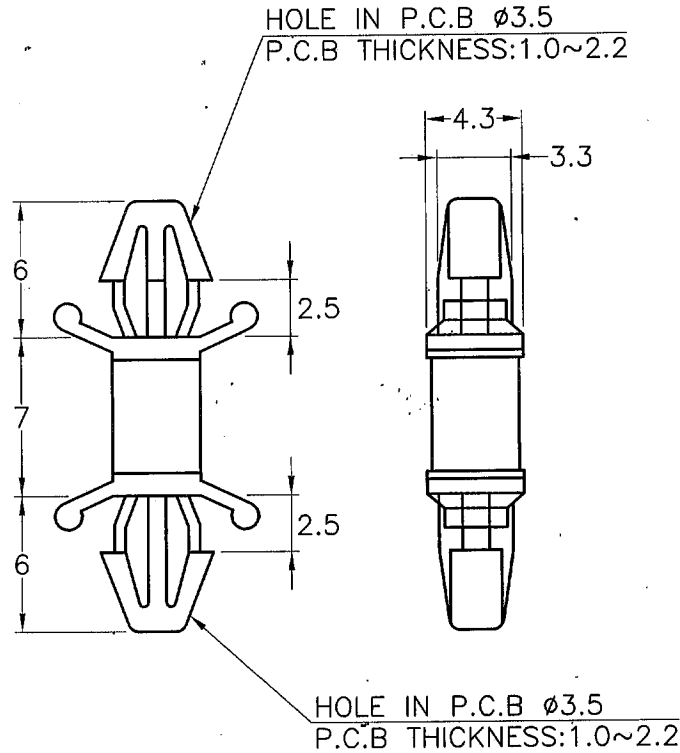


REVISIONS			
REV	DESCRIPTION	DATE	BY



QMFZ2  
Component - Plastics

February 13, 1996

E I DUPONT DE NEMOURS & CO INC.  
DUPONT POLYMERS, ENGINEERING POLYMERS  
NYLON RESINS PO BOX 80713, CHESTNUT RUN  
PLAZA, WILMINGTON DE 19880

E41938 (M)  
(A card)

Mil Deg	Col	Min Thk mm	UL94 Flame Class	Elec	RTI		H W I	H A I	H V T R	D 4 9 5	C T I
					Mech with imp	Mech w/o imp					
Polyamide, Type 66 nylon (PA66), designated "Zytel", furnished in the form of pellets.											
132F+	All	0.71	94V-2	125	65	65	4	0	—	—	—
133L+, 135F+		1.5	94V-2	125	75	85	3	0	0	—	—
		3.0	94V-2	125	75	85	2	0	0	6	0
		6.0	94V-2	125	75	85	2	0	0	—	—
→ 101(F2)+, 101F+, 101L+, E101L+, E101(F1)+	All	0.71	94V-2	125	65	65	4	0	—	—	—
		1.5	94V-2	125	75	85	3	0	0	—	—
		3.0	94V-2	125	75	85	2	0	0	6	0
		6.0	94V-2	125	75	85	2	0	0	—	—

Reports: August 30, 1988; December 2, 1992.

Replaces E41938A dated July 24, 1995.  
324299147 H7047

Underwriters Laboratories Inc.®

(Cont. on A001 card)  
D11/0005183

<p>康揚企業股份有限公司 KANG YANG HARDWARE ENTERPRISE CO., LTD. 東莞康揚塑膠五金電子廠 DONG GUAN KANG YANG PLASTIC HARDWARE COMPANY 康哲電腦配件(吳江)有限公司 KANG CHE COMPUTER COMPONENTS(WUJIANG) CO., LTD.</p>				TITLE	PC板間隔柱	產品規格圖面	
				MATERIAL	NYLON 66 UL94V-2	DATE	1998.03.09
				FINISH		DRAWN	JASON
				COLOR	NATURAL	CHECK	
PART NUMBER	CBSS-7	DRAWING NUMBER	CBSS-7H	UNLESS OTHERWISE SPECIFIED TOLERANCE	±0.2	APPROVED	
SIZE	A4	SCALE	3:1	UNIT	mm	REV	A