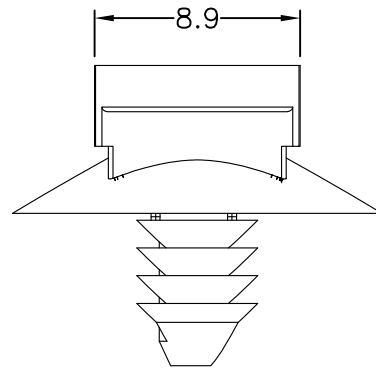
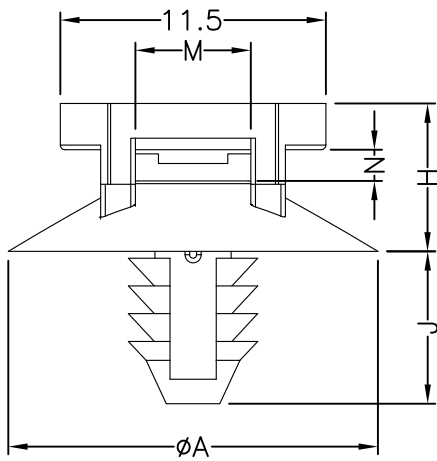


HOLE : ϕG
 THICKNESS: T



NOTE : A, D

PART NO.	A	H	J	M	N	G	T
CCMF-3	16	6.4	6.6	5	1.15	4.5~5	0.8~7