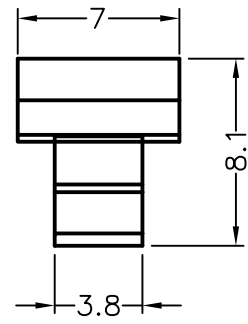
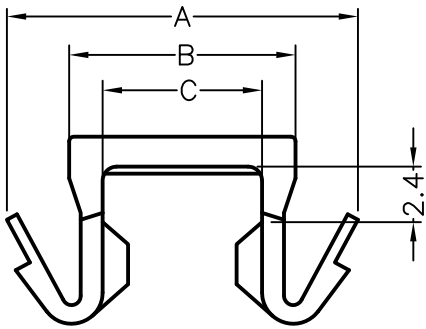


MOUNTING HOLES  
THICKNESS: T



PART NO.	A	B	C	F	T
CCMH-12				4	1~1.2
CCMH-15.1				7.1	

NOTE: A, D

同目録尺寸