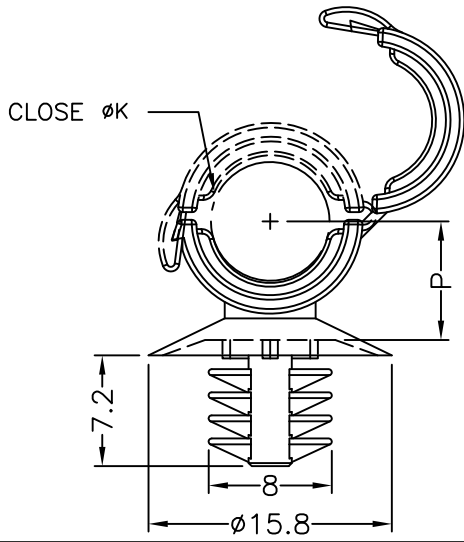


HOLE : G
THICKNESS: T



PART NO.	K	P	G	T
CCMK-1	5.5	6.3	6.5~7	0.8~3.0
CCMK-2	8	7.7		

NOTE: A, D