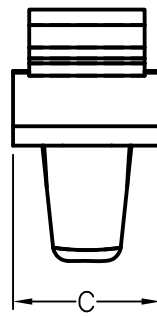
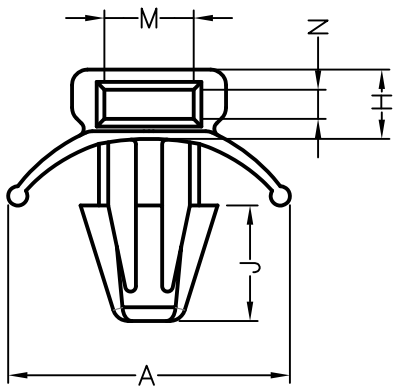


HOLE : ϕG
 THICKNESS: T



PART NO.	A	C	H	J	M	N	G	T
CCMW-3	18.3	9.6	4.5	7.5	5.8	1.9	6.2~6.35	0.8~3.6

NOTE: A, D