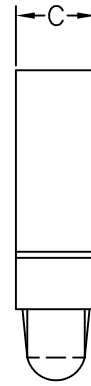
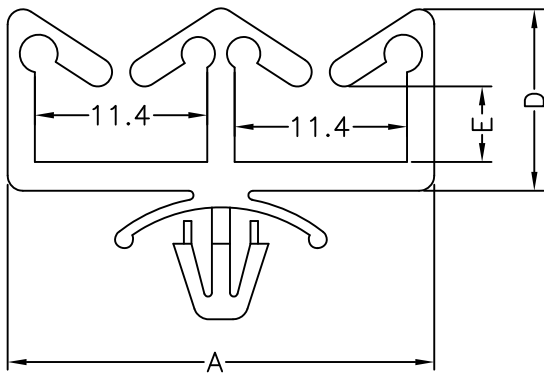


HOLE :  $\phi G$   
THICKNESS: T



PART NO.	A	C	D	E	G	T
CHAA-1	28.2	5.3	12	5	4.8~5	1.2~2.1

NOTE: A, D