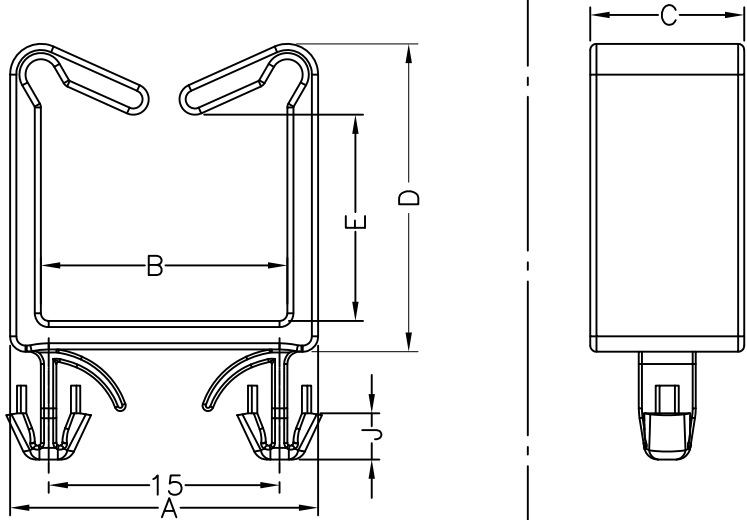


HOLE : ϕG
 THICKNESS: T



PART NO.	A	B	C	D	E	G	J	T
CHAF-3	20	16	10	20	13.4	4	3	0.8~2.5

NOTE:A, D