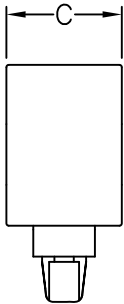
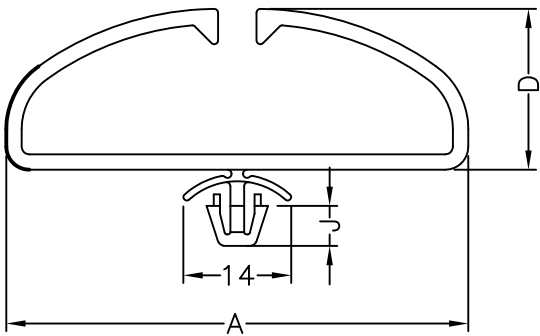


HOLE : ϕG
THICKNESS: T



| PART NO. | A | C | D | J | G | T |
|----------|----|----|------|-----|-----|---------|
| CHAU-1 | 60 | 15 | 20.9 | 5.2 | 6.0 | 0.8~2.5 |

NOTE: A, D