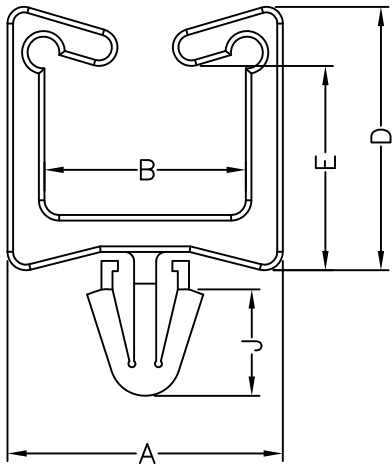


HOLE : ϕG
THICKNESS: T



PART NO.	A	B	C	D	E	G	J	T
CHAW-1	14.9	10.9	5.5	14.2	8.07	4.8	5.6	1.1

NOTE: A, D