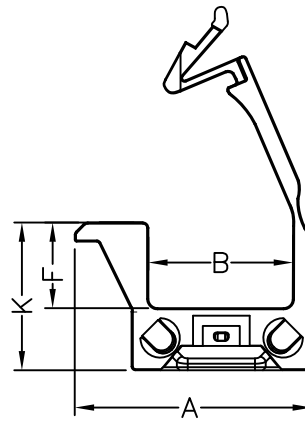
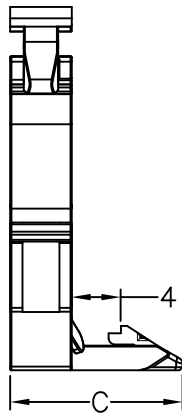


MONTAGEBOHRUNG



PART NO.	A	B	C	F	K
CHCK-1	19.25	11.74	14	6.95	12

NOTE: A, D