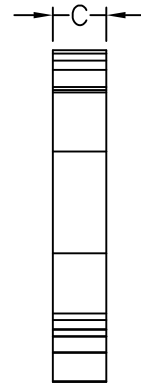
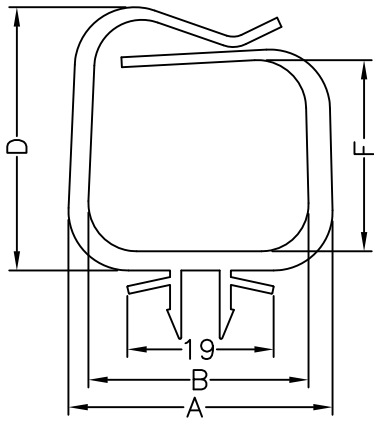


MOUNTING HOLE

THICKNESS: T



PART NO.	A	B	C	D	F	T
CHD-19	34.3	28.6	6.95	34.2	24.8	0.8~2.0

NOTE: A, D