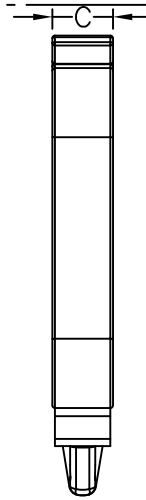
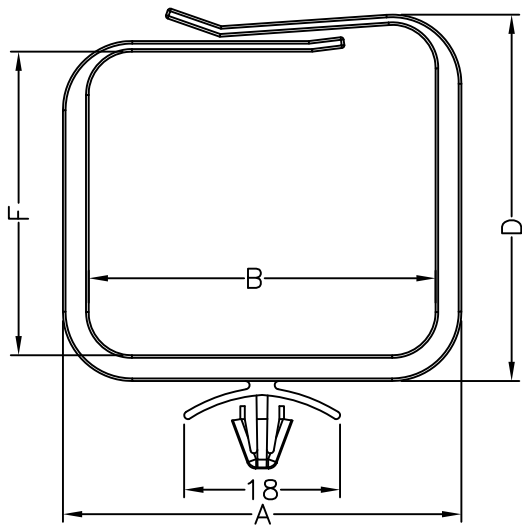


HOLE :  $\phi G$   
THICKNESS: T



PART NO.	A	B	C	D	F	G	T
CHD35-40	46	40	7	42.3	35	4.8	0.8~2

NOTE: A, D