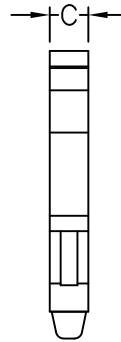
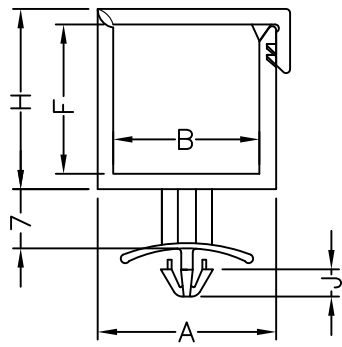


HOLE : ϕ G
 THICKNESS: T



PART NO.	A	B	C	F	H	J	G	T
CHH-3	23.2	19	5	19	23.4	3.54	4.8	0.8~1.6

NOTE:A, D