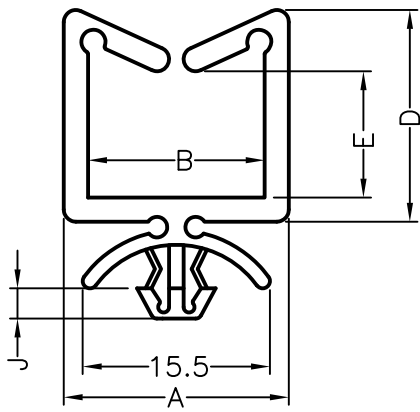


HOLE : ϕG
THICKNESS: T



PART NO.	A	B	C	D	E	G	J	T
CHPA-1	18.6	14.6	5.6	17.5	10.4	5	2.5	2.4~3

NOTE: A, D