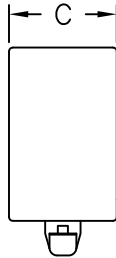
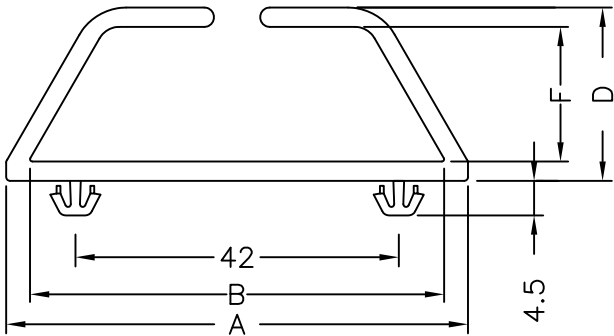


HOLE :  $\phi G$   
THICKNESS: T



PART NO.	A	B	C	D	F	G	T
CHT-42	60	53.8	14	22.5	17.5	4.8	1.5

NOTE: A, D