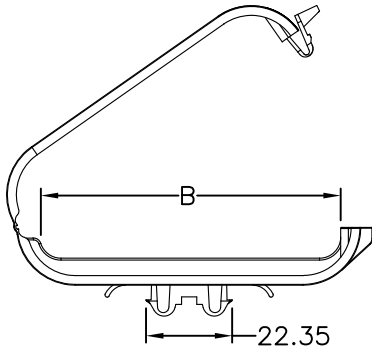


HOLE : G
THICKNESS: T



PART NO.	B	C	T
CMKB-1	77.9	24.9	1.0~2.5

NOTE:A, D