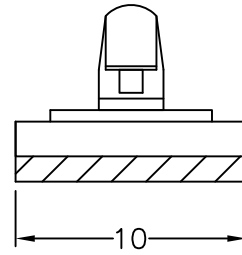
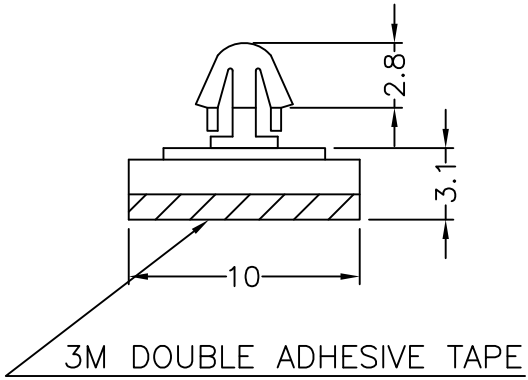


P.C.B Ø3.0  
THICKNESS 1.6



PART NO.

CSSA-2

NOTE:B