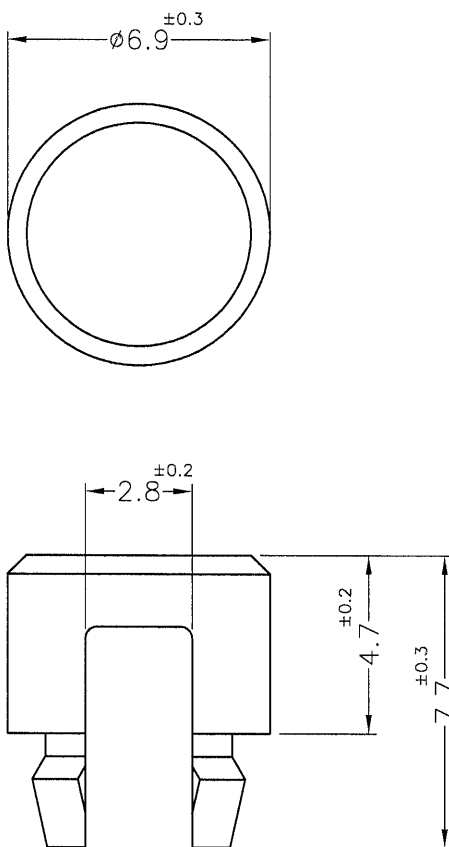




REVISIONS			
REV	DESCRIPTION	DATE	BY



MOUNTING HOLE:  $\phi 5.0$ mm  
 THICKNESS: 0.8mm

NOTE: 1. SHRINKING IS NORMAL STATUS.  
 內縮為正常現象。  
 2. MADE OF EQUIVALENT MATERIAL.  
 均可使用同等材質。

 康揚企業股份有限公司 KANG YANG HARDWARE ENTERPRISE CO., LTD. 康揚塑膠(東莞)有限公司 KANG YANG PLASTIC(DONG GUAN) CO., LTD. 康哲電腦配件(吳江)有限公司 KANG CHE COMPUTER COMPONENTS(WUJIANG) CO., LTD.				TITLE	SPEC. DWG.	
				SPACER SUPPORT	MATERIAL	DATE
PART NUMBER CUS-5				DRAWING NUMBER CUS-5	NYLON 66 UL94V-2	2006.03.03
SIZE A4				SCALE 5:1	FINISH	DRAWN KEN
UNIT mm				REV A	COLOR NATURAL	CHECK 
UNLESS OTHERWISE SPECIFIED TOLERANCE SEE ABOVE				APPROVED 