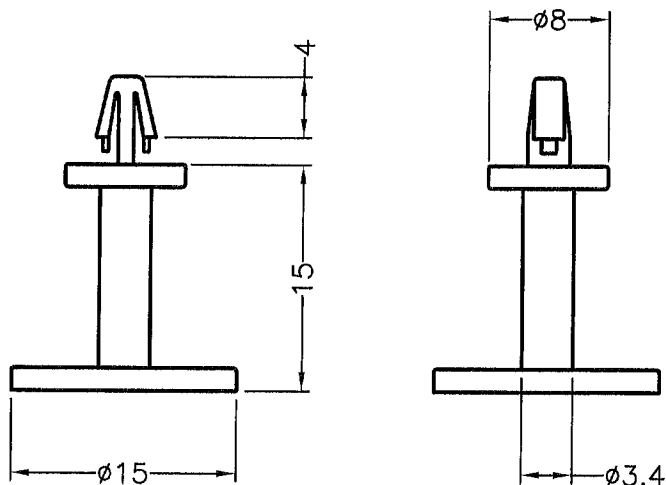

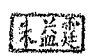


DIM.	TOL
5mm DOWN	±0.2
5~20mm	±0.3
20~40mm	±0.4
40~60mm	±0.5
60~100mm	±0.8
100mm UP	±1.0

REVISIONS			
REV	DESCRIPTION	DATE	BY

HOLE IN P.C.B  $\phi 3.0$   
P.C.B THICKNESS 1.6



 <p>康揚企業股份有限公司 KANG YANG HARDWARE ENTERPRISE CO., LTD. 康揚塑膠(東莞)有限公司 KANG YANG PLASTIC(DONG GUAN) CO., LTD. 康哲電腦配件(吳江)有限公司 KANG CHE COMPUTER COMPONENTS(WUJIANG) CO., LTD.</p>	TITLE SPACER SUPPORT		SPEC. DWG.	
	MATERIAL NYLON 66 UL94V-2		DATE 2009.07.27	
	HARDNESS		DRAWN SAI	
PART NUMBER DCB-15L		DRAWING NUMBER DCB-15L		COLOR NATURAL
SIZE A4	SCALE 2:1	UNIT mm	REV A	CHECK 
UNLESS OTHERWISE SPECIFIED TOLERANCE SEE ABOVE				APPROVED 