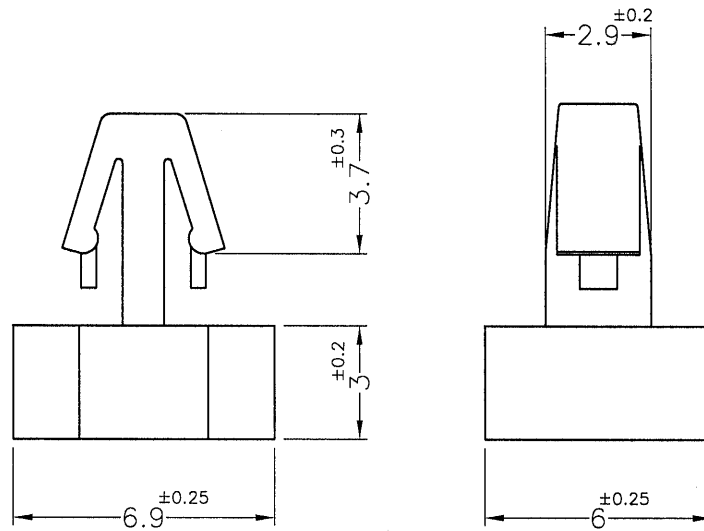




| REVISIONS | | | |
|-----------|-------------|------|----|
| REV | DESCRIPTION | DATE | BY |
| | | | |
| | | | |

HOLE IN P.C.B: $\phi 3.0\text{mm}$
P.C.B THICKNESS: 1.6mm



| PART NO. | MATERIAL | COLOR |
|----------|------------------|----------------|
| DCB-3D | NYLON 66 UL94V-2 | NATURAL |
| DCB-3DV0 | NYLON 66 UL94V-0 | NATURAL(WHITE) |

NOTE:MADE OF EQUIVALENT MATERIAL.
均可使用同等材質.

| | | | | | | | |
|--|-----------|----------------|--------|--------------------------------------|----------------|------------|---|
|  <p>康揚企業股份有限公司 KANG YANG HARDWARE ENTERPRISE CO., LTD. 康揚塑膠(東莞)有限公司 KANG YANG PLASTIC(DONG GUAN)CO.,LTD. 康哲電腦配件(吳江)有限公司 KANG CHE COMPUTER COMPONENTS(WUJIANG) CO.,LTD.</p> | | | | TITLE | SPACER SUPPORT | SPEC. DWG. | |
| | | | | MATERIAL | SEE ABOVE | DATE | 2002.07.08 |
| | | | | FINISH | | DRAWN | AMY |
| | | | | COLOR | SEE ABOVE | CHECK |  |
| PART NUMBER | SEE ABOVE | DRAWING NUMBER | DCB-3D | UNLESS OTHERWISE SPECIFIED TOLERANCE | SEE ABOVE | APPROVED | <i>Kang</i> |
| SIZE | A4 | SCALE | 5:1 | UNIT | mm | REV | B |