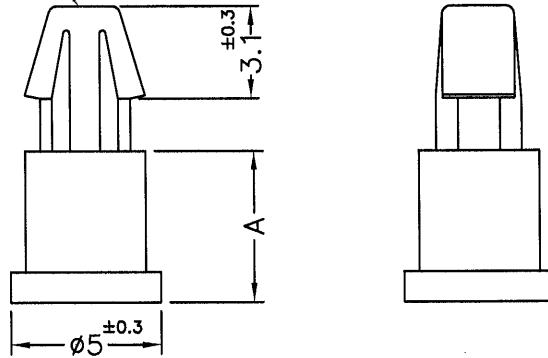


| DTM.     | TOL  |
|----------|------|
| 5mm DOWN | ±0.2 |
| 5~20mm   | ±0.3 |
| 20~40mm  | ±0.4 |
| 40~60mm  | ±0.5 |
| 60~100mm | ±0.8 |
| 100mm UP | ±1.0 |


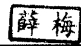

| REVISIONS |             |      |    |
|-----------|-------------|------|----|
| REV       | DESCRIPTION | DATE | BY |
|           |             |      |    |
|           |             |      |    |

HOLE IN P.C.B  $\phi 3$   
P.C.B THICKNESS 1.2~1.6



| PART NO. | A   |
|----------|-----|
| DCC-2    | 2.0 |
| DCC-2.5  | 2.5 |
| DCC-2.7  | 2.7 |
| DCC-3    | 3.0 |
| DCC-3.2  | 3.2 |
| DCC-3.5  | 3.5 |
| DCC-4    | 4.0 |
| DCC-4.5  | 4.5 |
| DCC-5    | 5.0 |
| DCC-5.5  | 5.5 |
| DCC-6    | 6.0 |
| DCC-6.5  | 6.5 |

NOTE: MADE OF EQUIVALENT MATERIAL.  
均可使用同等材質.

|  |                              |            |  |   |
|--|------------------------------|------------|--|---|
|  <p>康揚企業股份有限公司<br/>KANG YANG HARDWARE ENTERPRISE CO., LTD.<br/>康揚塑膠(東莞)有限公司<br/>KANG YANG PLASTIC(DONG GUAN) CO., LTD.<br/>康哲電腦配件(吳江)有限公司<br/>KANG CHE COMPUTER COMPONENTS(WUJIANG) CO., LTD.</p> | TITLE<br>SPACER SUPPORT      |            | SPEC. DWG.   |   |
|  | MATERIAL<br>NYLON 66 UL94V-2 |            | DATE<br>2003.02.17   |   |
|  | FINISH                       |            | DRAWN<br>AMY   |   |
|  | COLOR<br>NATURAL             |            | CHECK<br> |   |
| PART NUMBER<br>SEE ABOVE   | DRAWING NUMBER<br>DCC-H      |            | UNLESS OTHERWISE SPECIFIED<br>TOLERANCE<br>SEE ABOVE   |   |
| SIZE<br>A4   | SCALE<br>NONE                | UNIT<br>mm | REV<br>A   | APPROVED<br> |