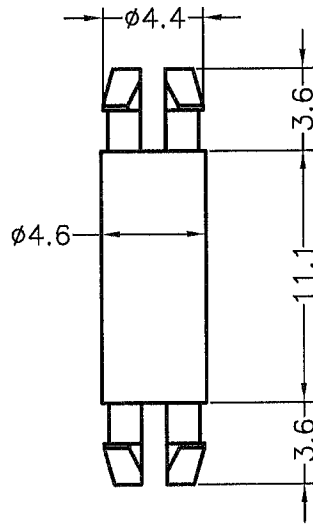


DTM.	TOL
L≤10	±0.2
10<L≤30	±0.3
30<L≤50	±0.5
50<L≤100	±0.7
100<L≤250	±1.2
ABOVE 250	±1.5




REVISIONS			
REV	DESCRIPTION	DATE	BY

HOLE IN P.C.B  $\phi 4$   
P.C.B THICKNESS 1.6mm



HOLE IN P.C.B  $\phi 4$   
P.C.B THICKNESS 1.6mm



 康揚企業股份有限公司 KANG YANG HARDWARE ENTERPRISE CO., LTD. 康揚塑膠(東莞)有限公司 KANG YANG PLASTIC(DONG GUAN) CO., LTD. ISO 9001 ISO 14001 QC 080000 康哲電腦配件(吳江)有限公司 KANG CHE COMPUTER COMPONENTS(WUJIANG) CO., LTD.		TITLE SPACER SUPPORT	SPEC. DWG.
		MATERIAL NYLON 66 UL94V-2	DATE 2015.02.09
		FINISH	DRAWN T.C
		COLOR NATURAL	CHECK 
PART NUMBER DMSP-11.1	DRAWING NUMBER DMSP-11.1	UNLESS OTHERWISE SPECIFIED TOLERANCE SEE ABOVE	APPROVED 
SIZE A4	SCALE 3:1	UNIT mm	REV A