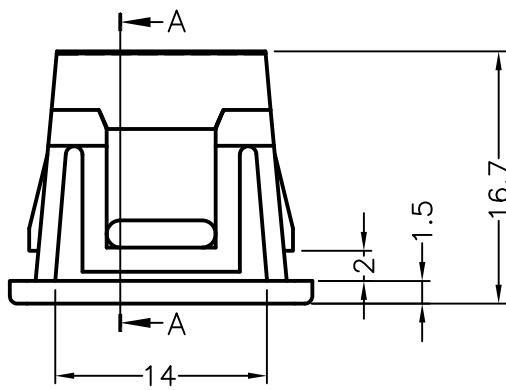


MOUNTING HOLE  
THICKNESS 1.6~1.8mm



DOOR LOCK BODY

