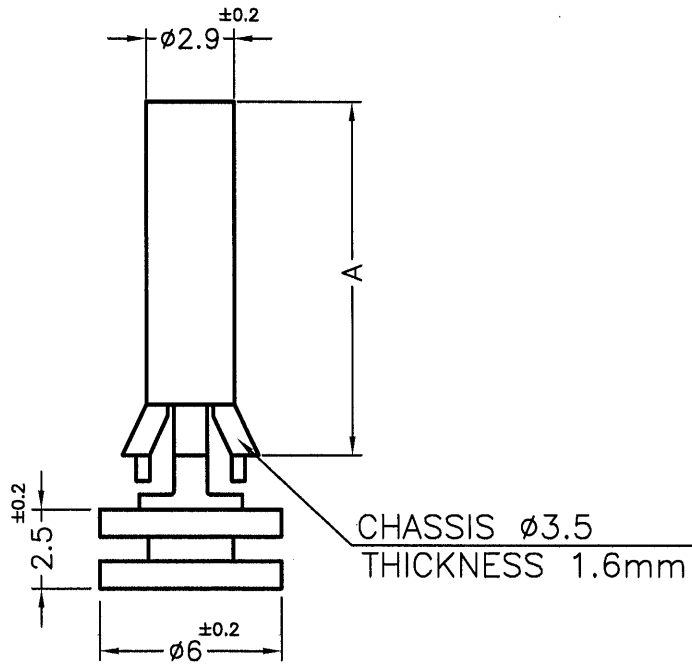




DIM.	TOL
L≤10	±0.2
10<L≤30	±0.3
30<L≤50	±0.5
50<L≤100	±0.7
100<L≤250	±1.2
ABOVE 250	±1.5

REVISIONS			
REV	DESCRIPTION	DATE	BY



PART NO.	A
EDC-4	4.0
EDC-5	5.0
EDC-6	6.0
EDC-7	7.0
EDC-8	8.0
EDC-9	9.0
EDC-10	10.0
EDC-11.4	11.4
EDC-12.7	12.7
EDC-13.5	13.5
EDC-14.5	14.5
EDC-15	15.0
EDC-15.9	15.9

NOTE:MADE OF EQUIVALENT MATERIAL.
使用同等材質

 <p>康揚企業股份有限公司 KANG YANG HARDWARE ENTERPRISE CO., LTD. 康揚塑膠(東莞)有限公司 KANG YANG PLASTIC(DONG GUAN) CO.,LTD. ISO 9001 ISO 14001 QC 080000 康哲電腦配件(吳江)有限公司 KANG CHE COMPUTER COMPONENTS(WUJIANG) CO.,LTD.</p>	TITLE SPACER SUPPORT		SPEC. DWG.		
	MATERIAL NYLON 66 UL94V-2		DATE 2010.08.23		
	FINISH		DRAWN JIM		
	COLOR NATURAL		CHECK 		
PART NUMBER SEE ABOVE		DRAWING NUMBER EDC-H		UNLESS OTHERWISE SPECIFIED TOLERANCE SEE ABOVE	
SIZE A4	SCALE NONE	UNIT mm	REV C	APPROVED 