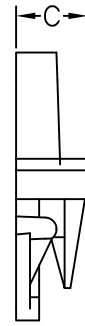
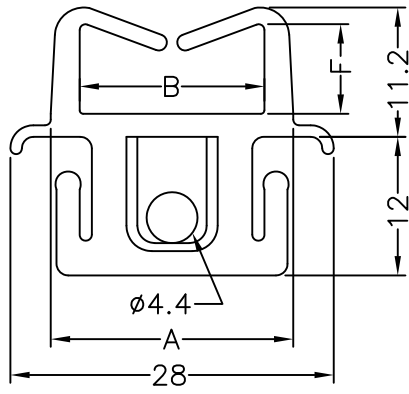


HOLE : ϕG
 THICKNESS: T



PART NO.	A	B	C	F	G	T
EDGE-1	21	16	6.2	7.75	5	1.0~2.0

NOTE: A, D