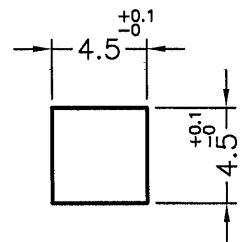
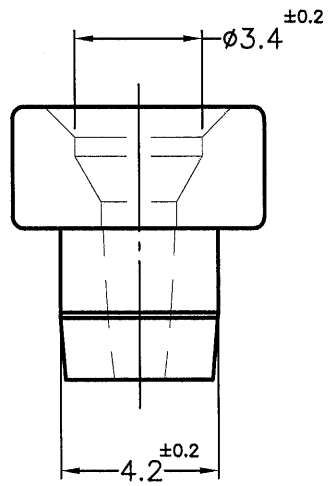
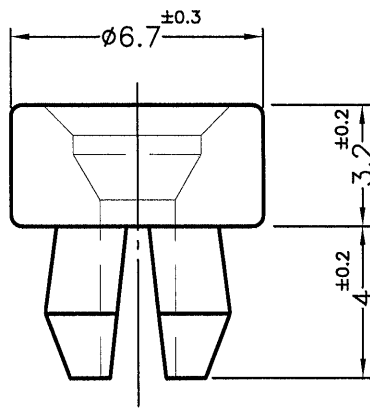

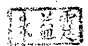


REVISIONS			
REV	DESCRIPTION	DATE	BY



MOUNTING HOLE
THICKNESS 2.3mm

NOTE:MADE OF EQUIVALENT MATERIAL.
使用同等材質

 <p>康揚企業股份有限公司 KANG YANG HARDWARE ENTERPRISE CO., LTD. 康揚塑膠(東莞)有限公司 KANG YANG PLASTIC(DONG GUAN) CO., LTD. 康哲電腦配件(吳江)有限公司 KANG CHE COMPUTER COMPONENTS(WUJIANG) CO., LTD.</p>				TITLE SPACER SUPPORT		SPEC. DWG.	
				MATERIAL NYLON 66 UL94V-2		DATE 2017.08.10	
				FINISH		DRAWN Shean	
PART NUMBER ETS-3.2-2		DRAWING NUMBER ETS-3.2-2		COLOR NATURAL		CHECK 	
SIZE A4	SCALE 5:1	UNIT mm	REV A	UNLESS OTHERWISE SPECIFIED TOLERANCE SEE ABOVE		APPROVED Kang	